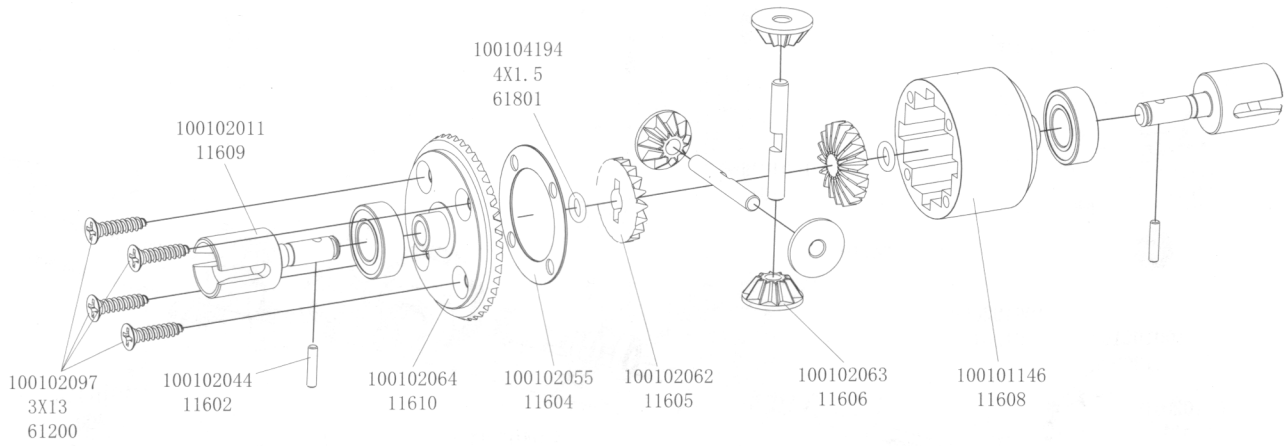
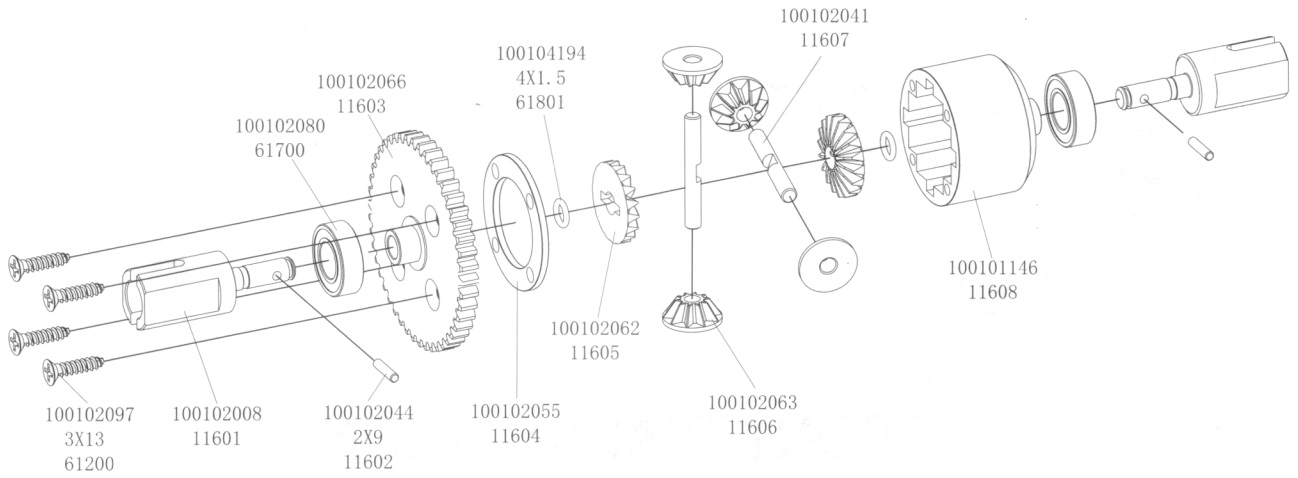


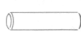


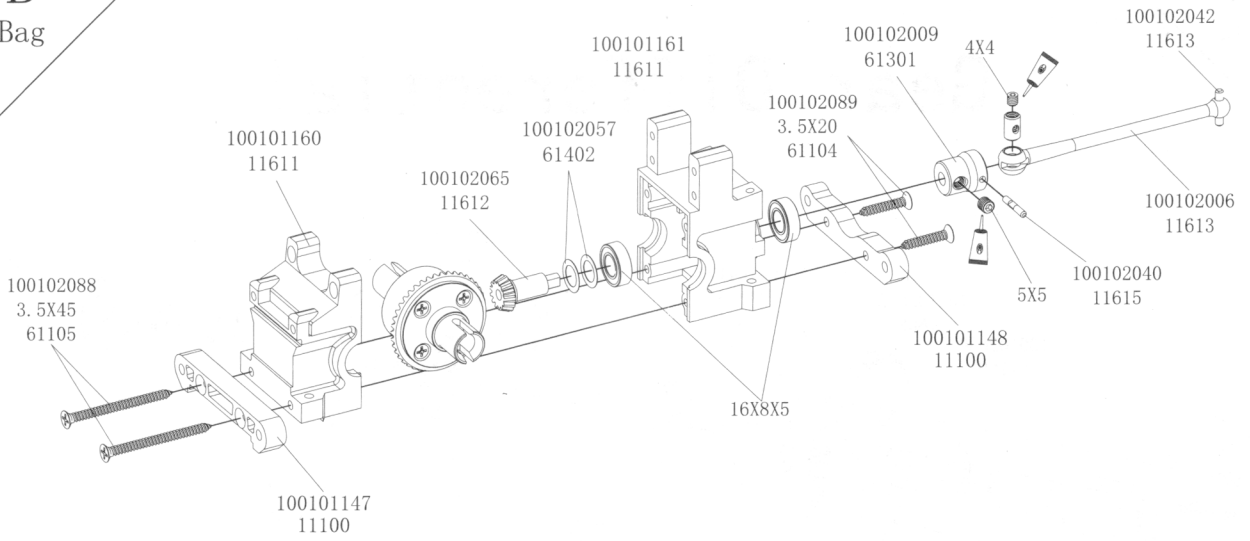
Gear Differential



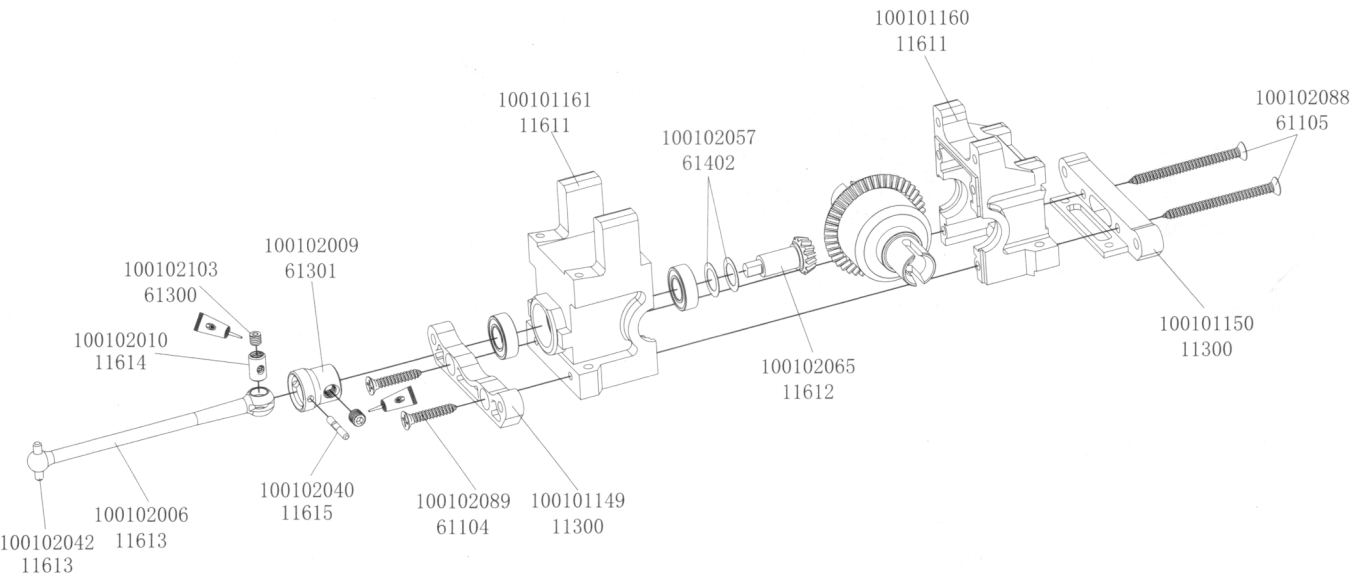
 X12 3MMX13MM	 X6 O-ring	 X6 2MMX9MM Pin
---	--	--

USE SILICONE OIL ONLY





Front Diff	5000 Standard
Center Diff	7000 Standard
Rear Diff	1000 Standard



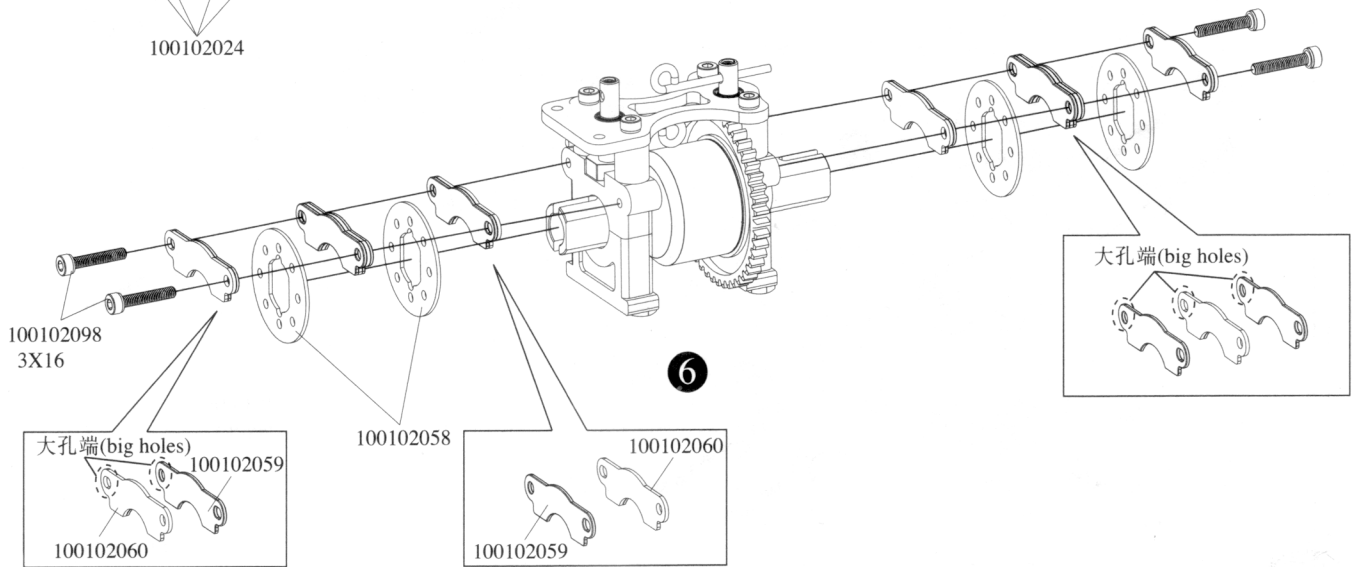
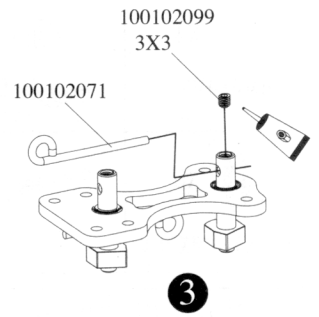
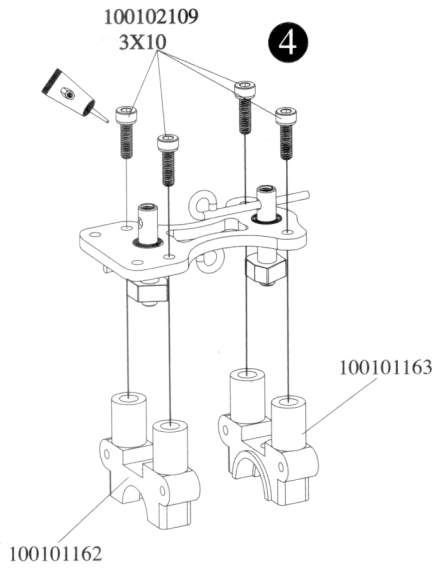
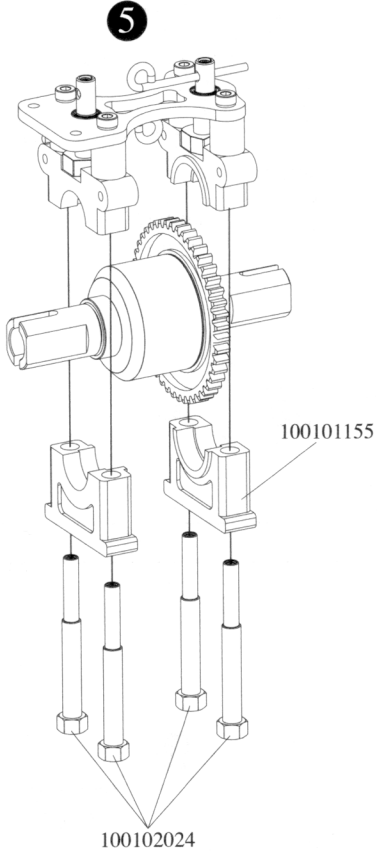
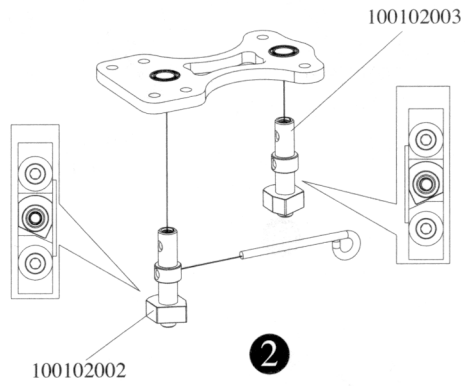
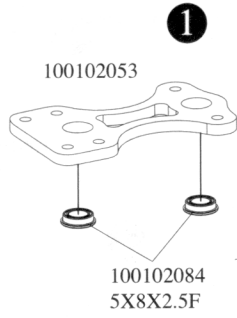
FRONT TRANSMISSION



REAR TRANSMISSION

 X4 4MMX4MM	 X4 3.5MMX20MM
 X4 3.5MMX45MM	 X4 8.2MMX12.5MMX0.2MM Shim

Center DIFF.



X2

3MMX3MM



X4

3MMX10MM

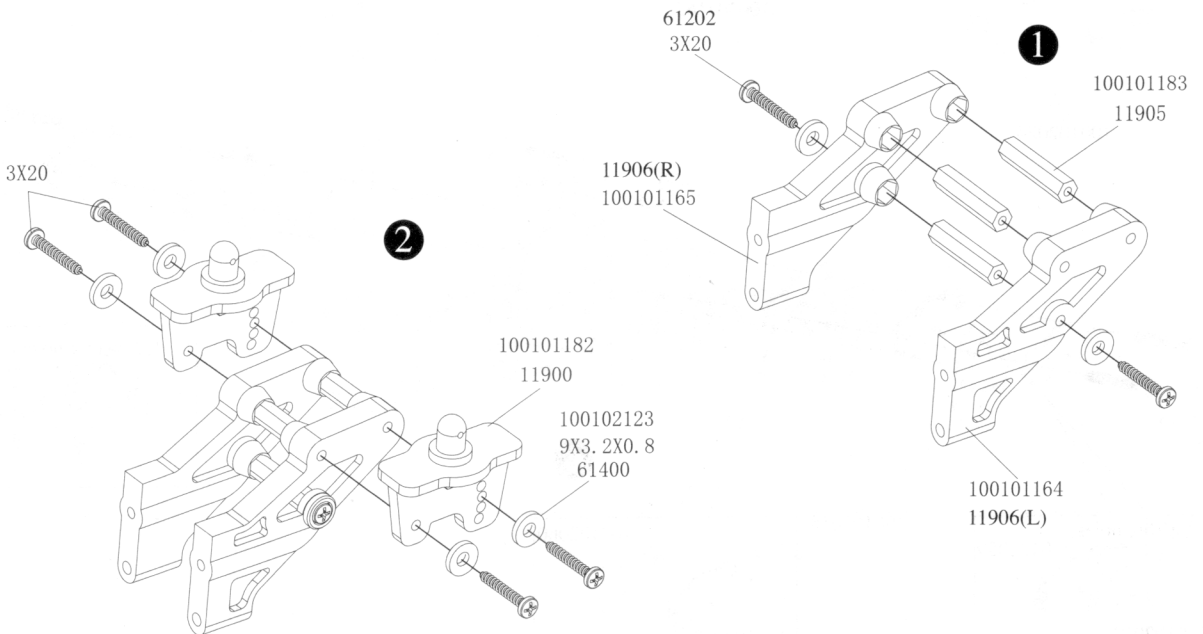
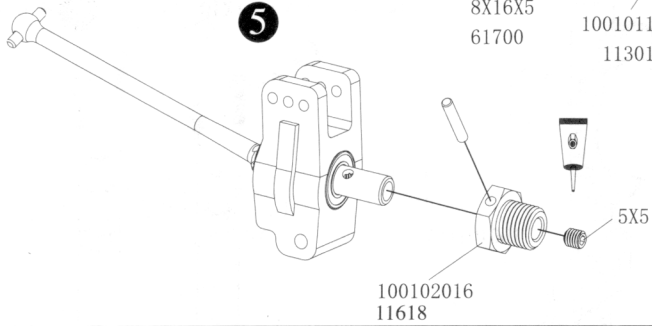
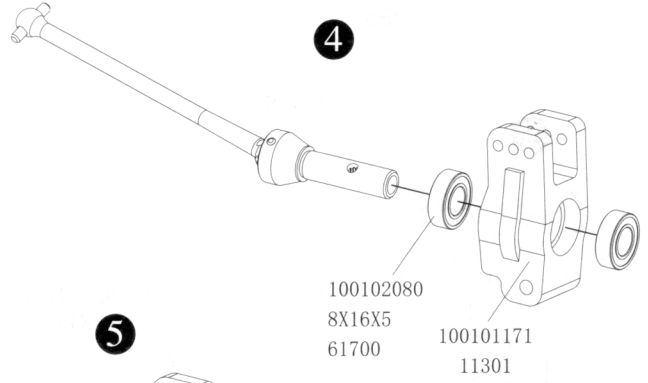
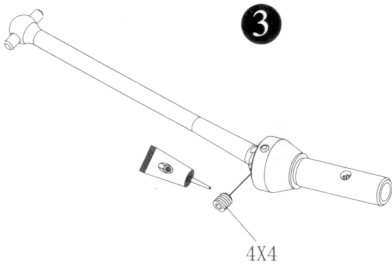
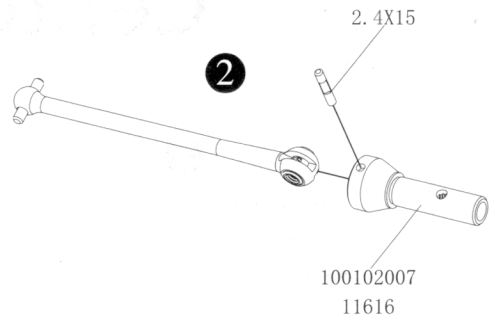
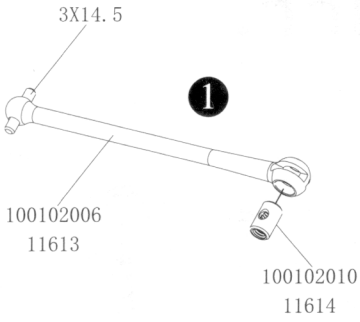


X4

3MMX16MM

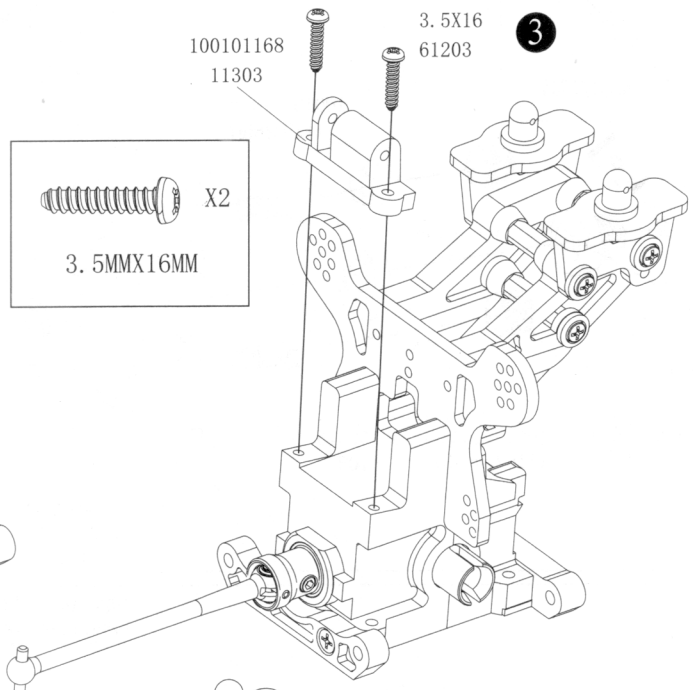
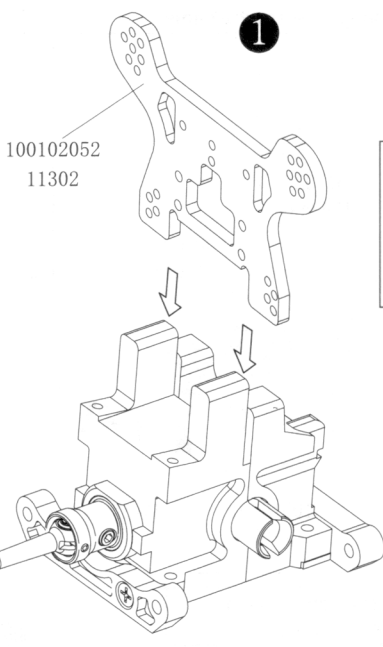
D

Bag



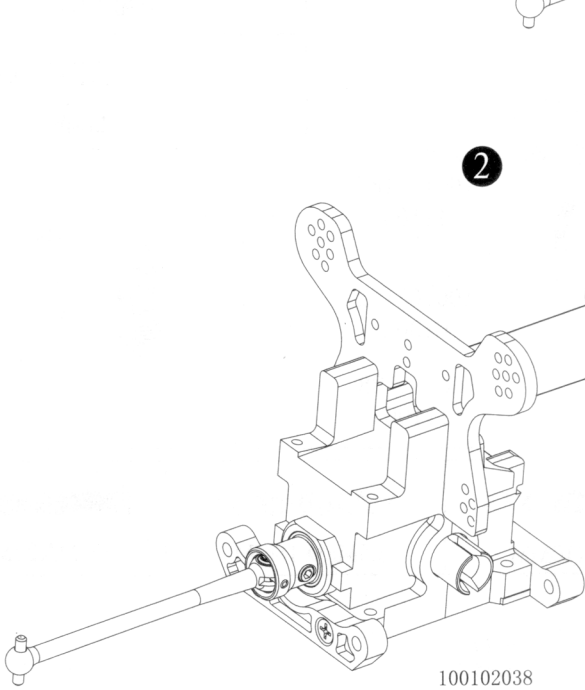
E

Bag



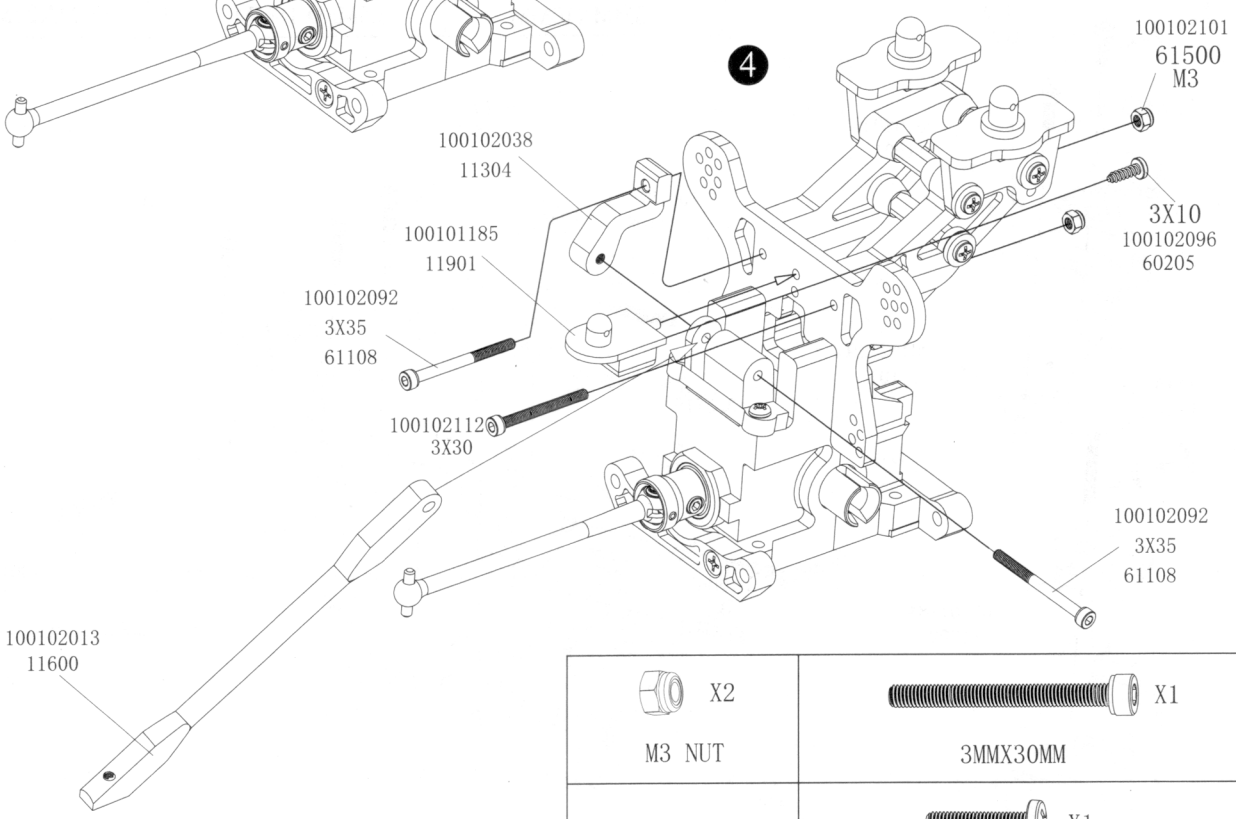
100101168
11303

X2
3.5MMX16MM



100102113
61204
3.5X30

X2
3.5MMX30MM



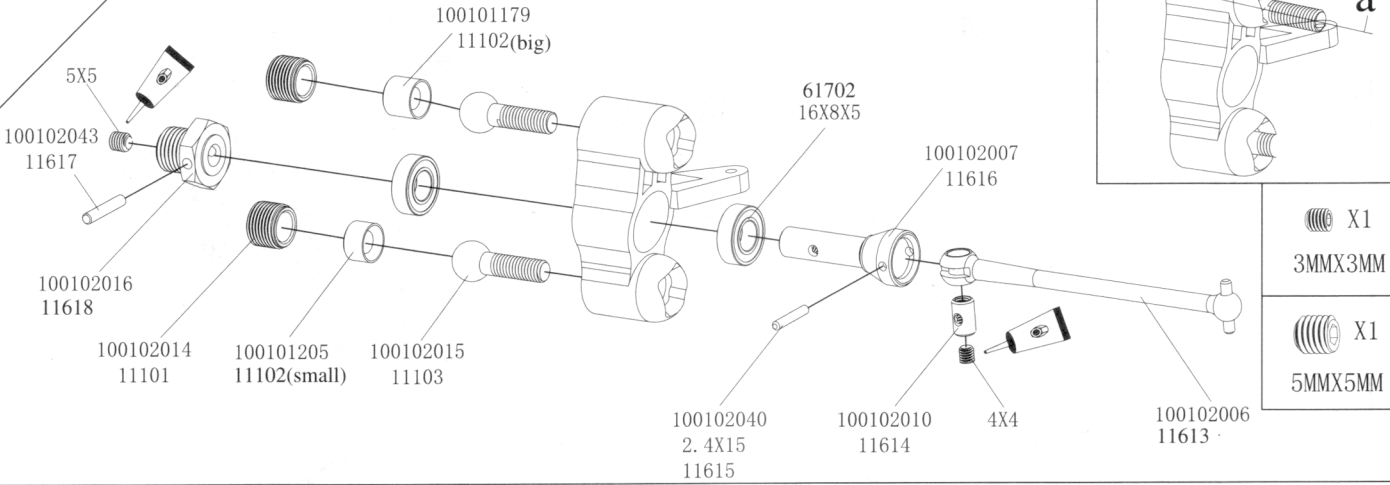
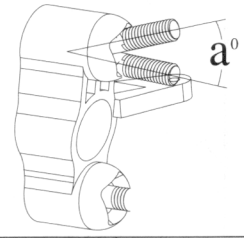
X2 M3 NUT	X1 3MMX30MM
	X1 3MMX10MM

F

Bag

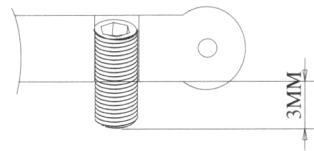
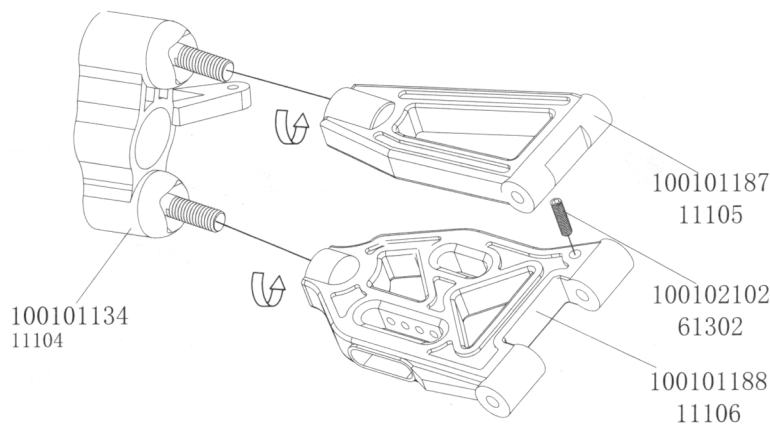
Assembly of the right and left hand side are the same

Adjust alum. Nut to keep steering ball smoot



Assembly of the right and left hand side are the same

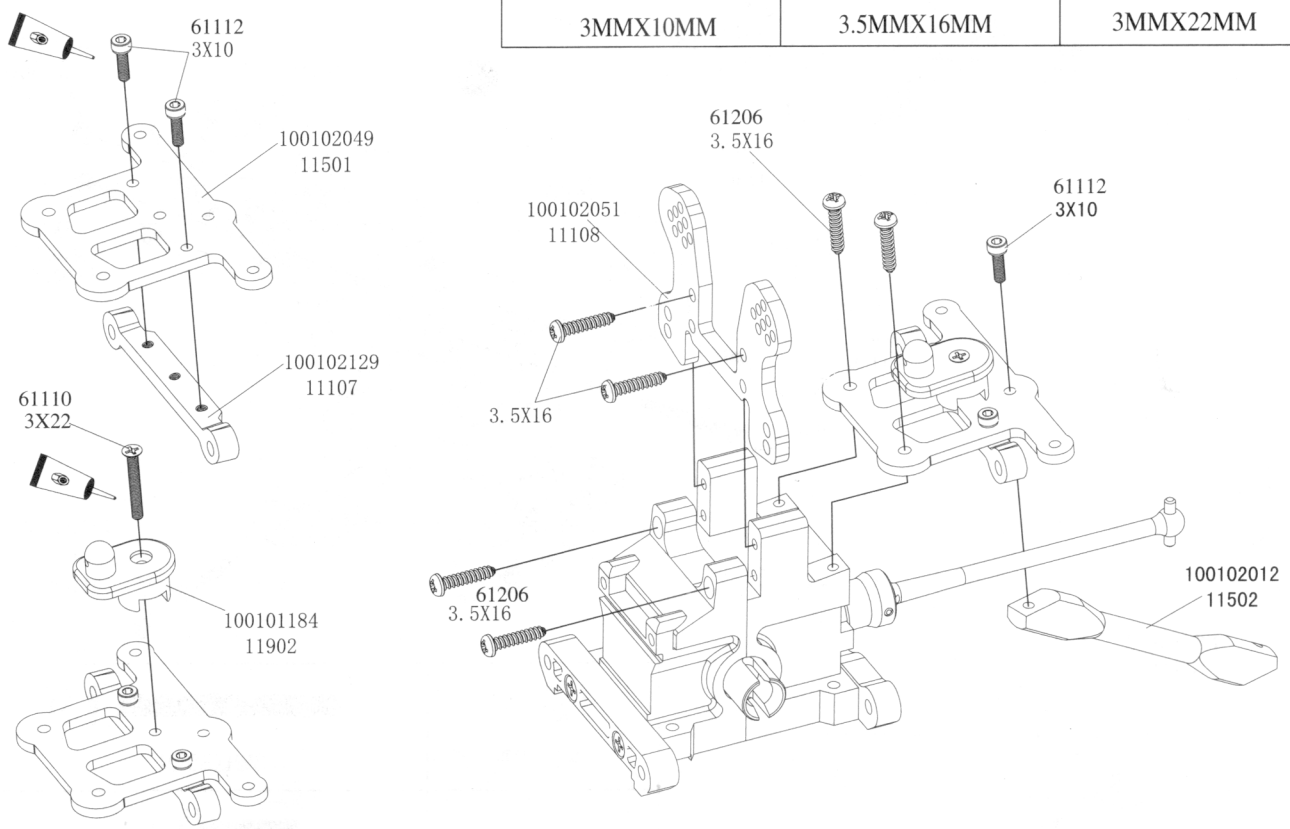
- X1
4MMX12MM
- X2
6MMX28MM



- X3
3MMX10MM

- X6
3.5MMX16MM

- X2
3MMX22MM

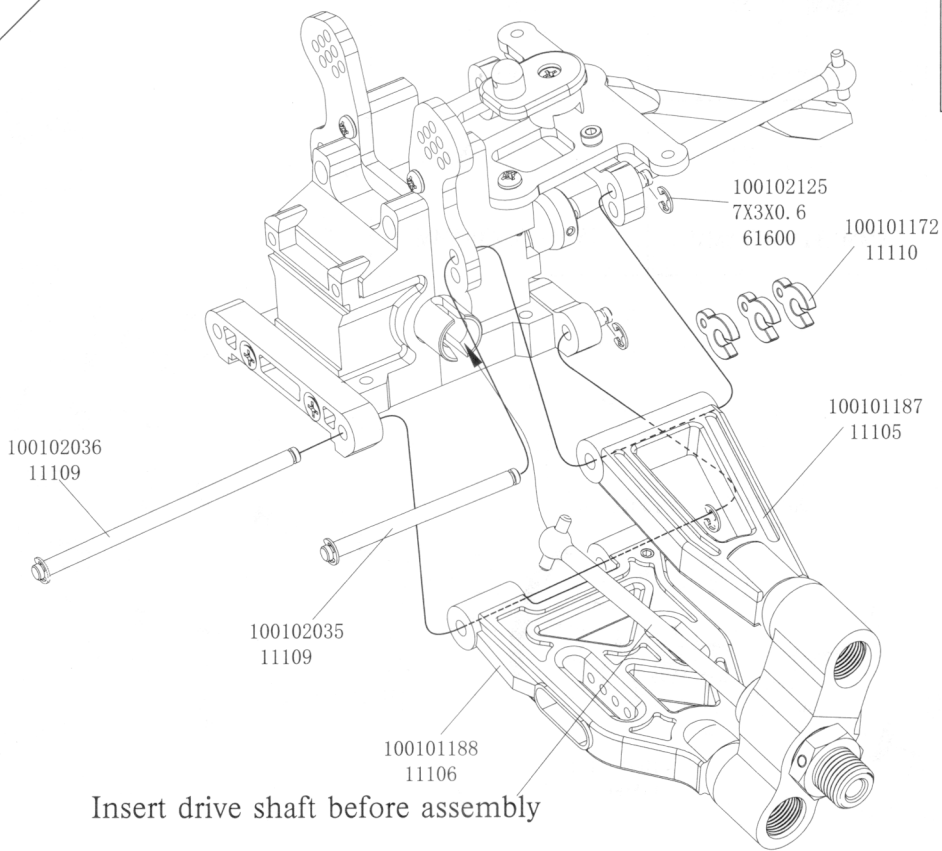


G
Bag

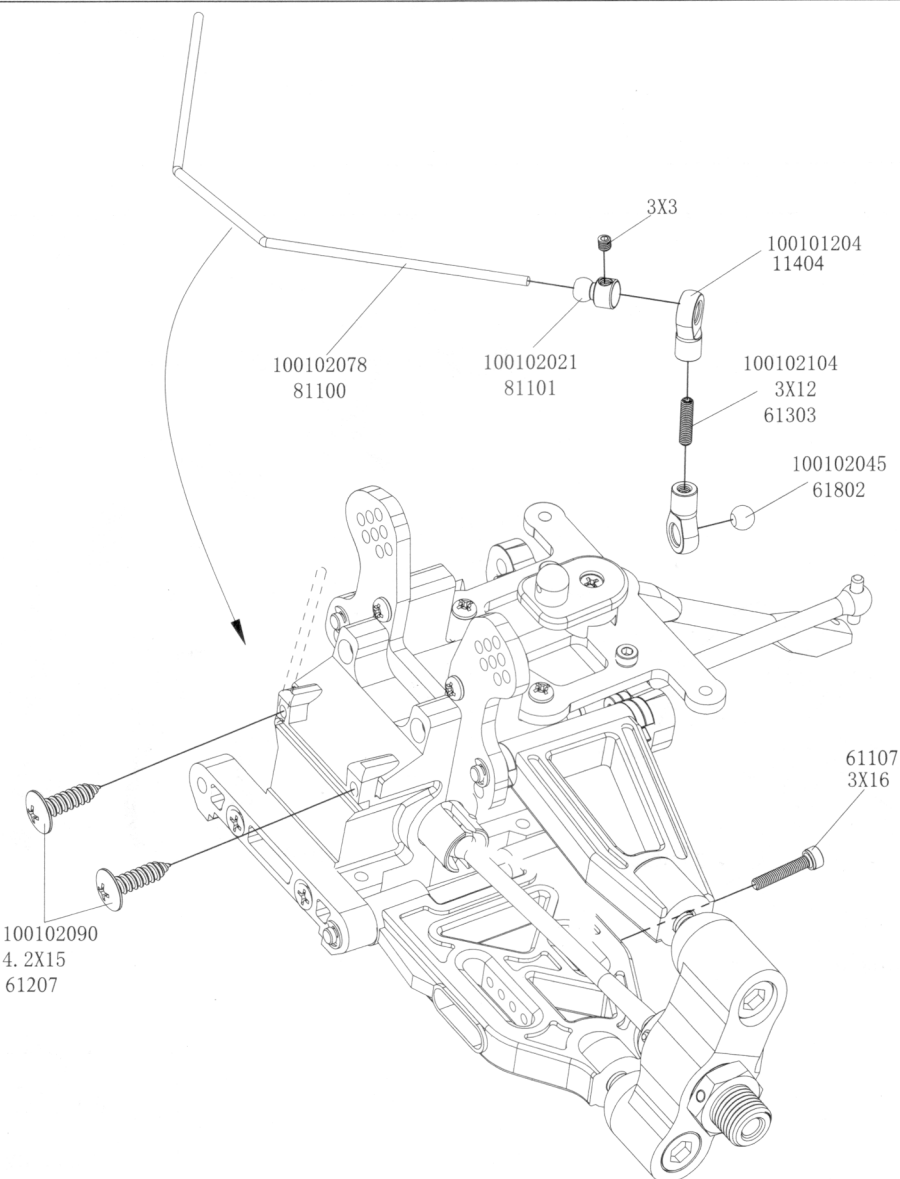


X8

7MMX3MMX0.6MM



Insert drive shaft before assembly



X2

3MMX3MM



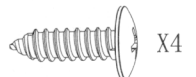
X2

3MMX12MM



X2





3MMX16MM

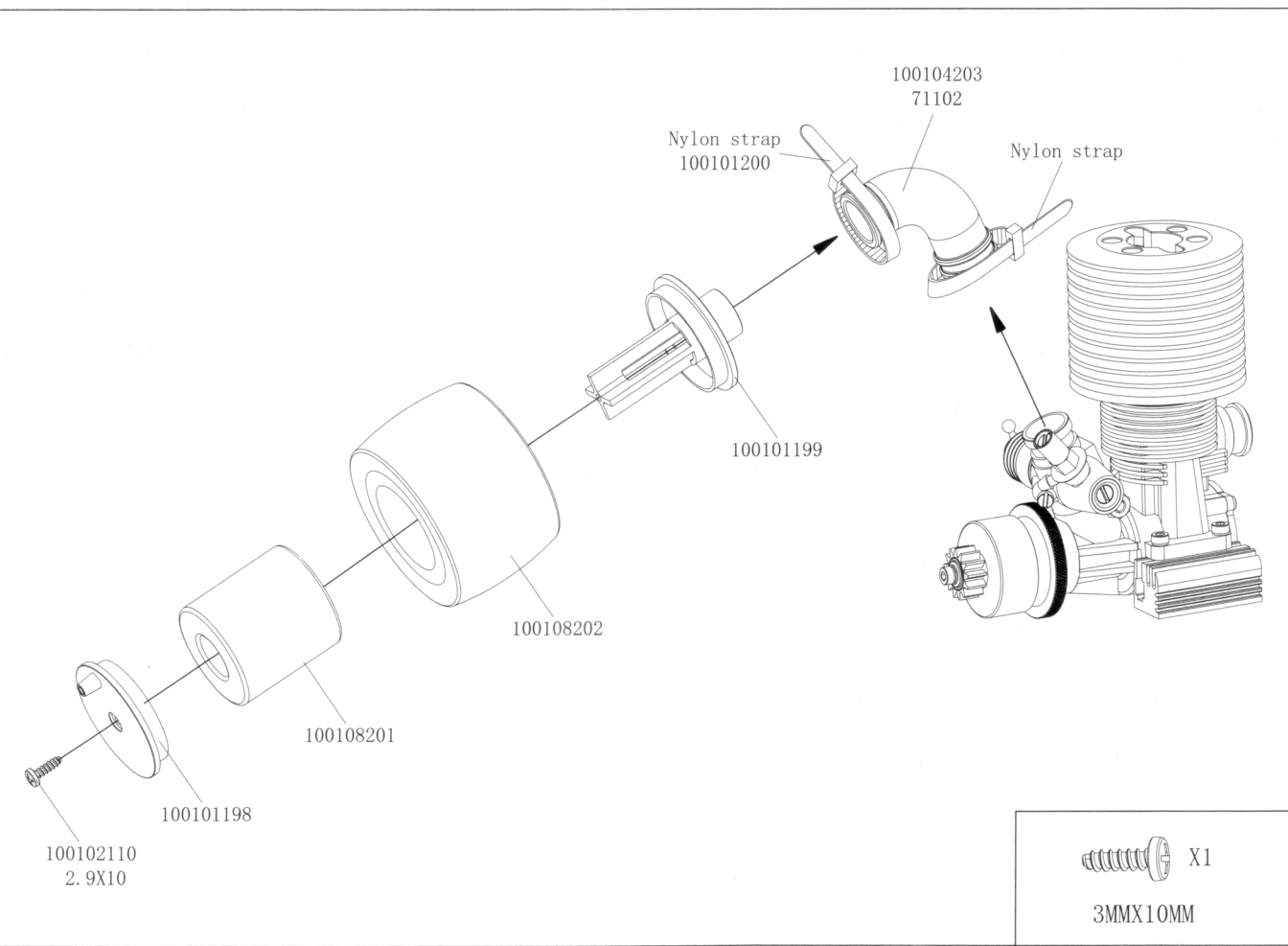
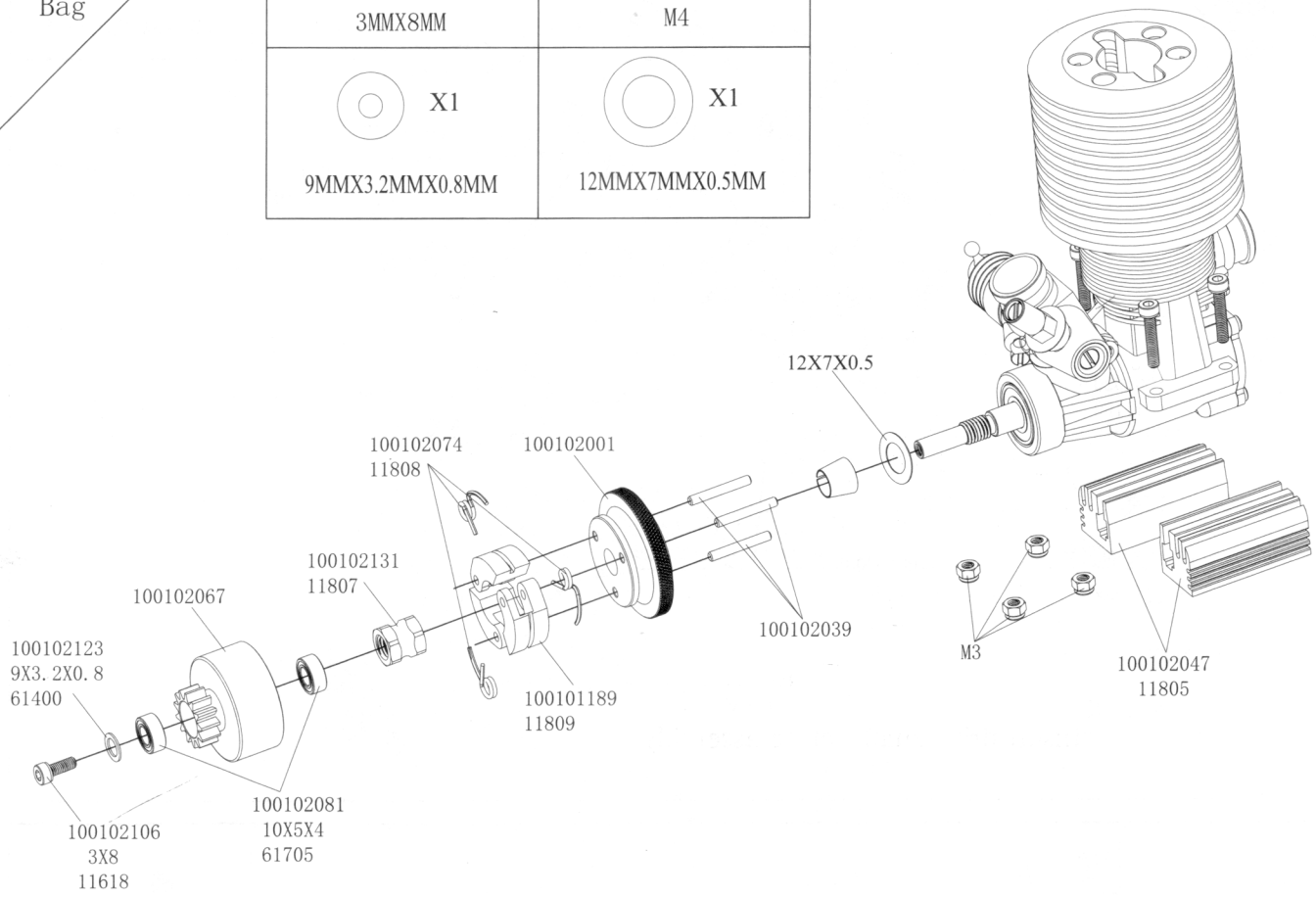


X4

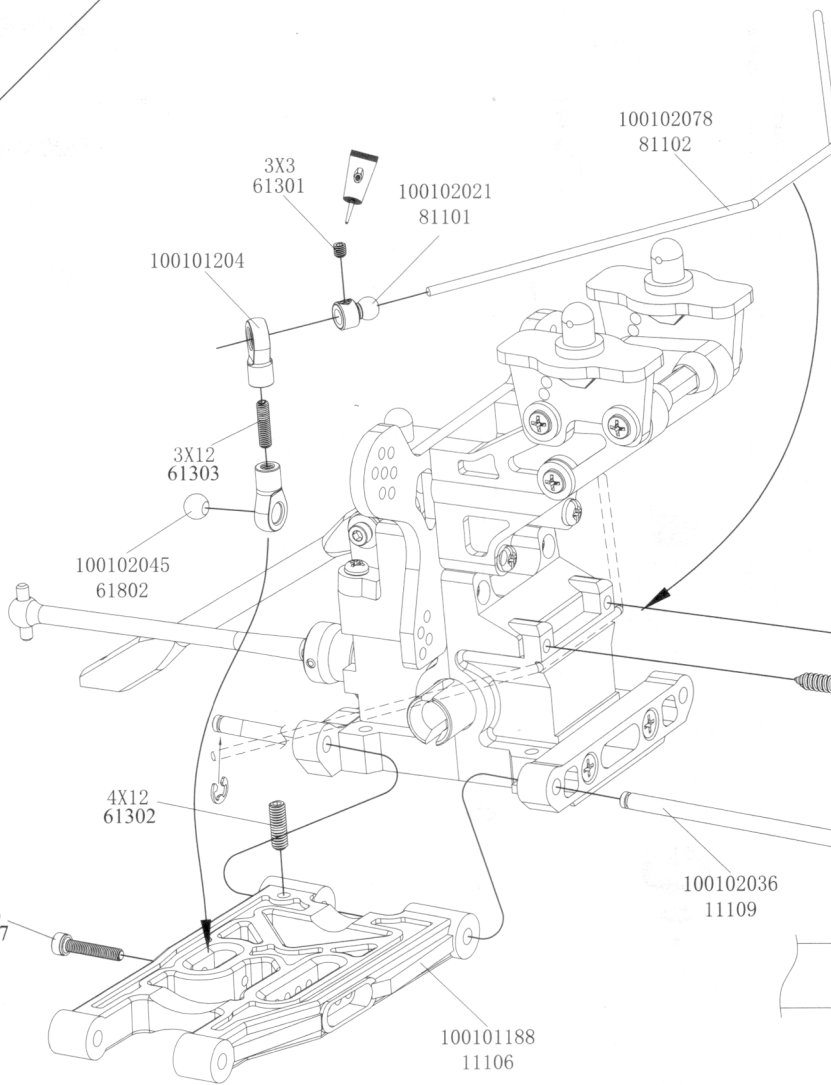
4. 2MMX15MM




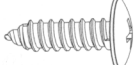


H
Bag

 X1 3MMX8MM	 X4 M4
 X1 9MMX3.2MMX0.8MM	 X1 12MMX7MMX0.5MM



I
Bag



	X2
3MMX3MM	
	X2
3MMX12MM	
	X2
4MMX12MM	
	X2
4. 2MMX15MM	
	X2
3MMX16MM	
	X8
7MMX3MMX0.6	

3MM

X4
M3

X4
9MMX3. 2MMX0. 8MM

X2
3MMX22MM

X2
3MMX30MM

100101152 11306

100102020 11717

100102029 11307

61110 3X22

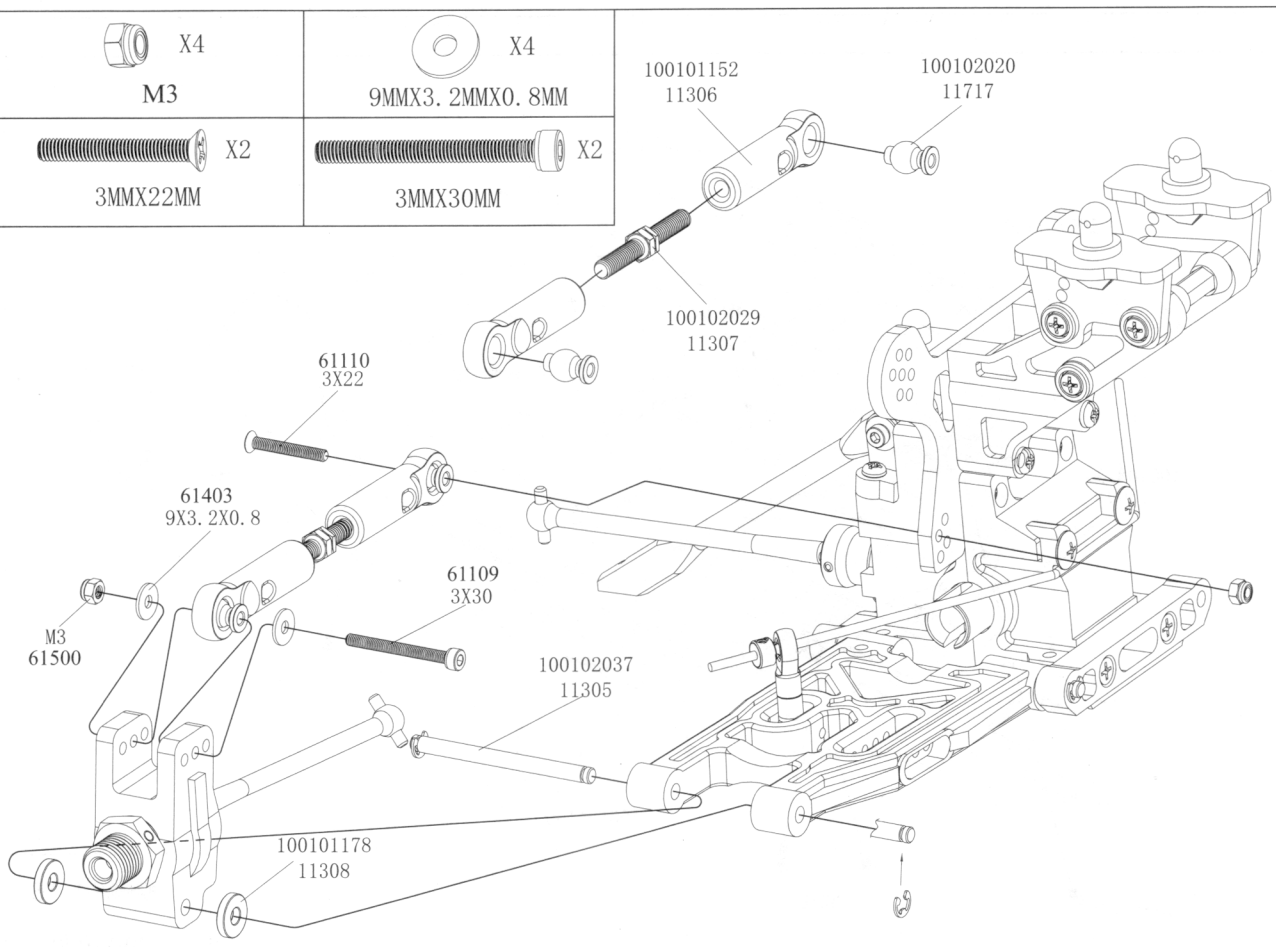
61403 9X3. 2X0. 8

61109 3X30

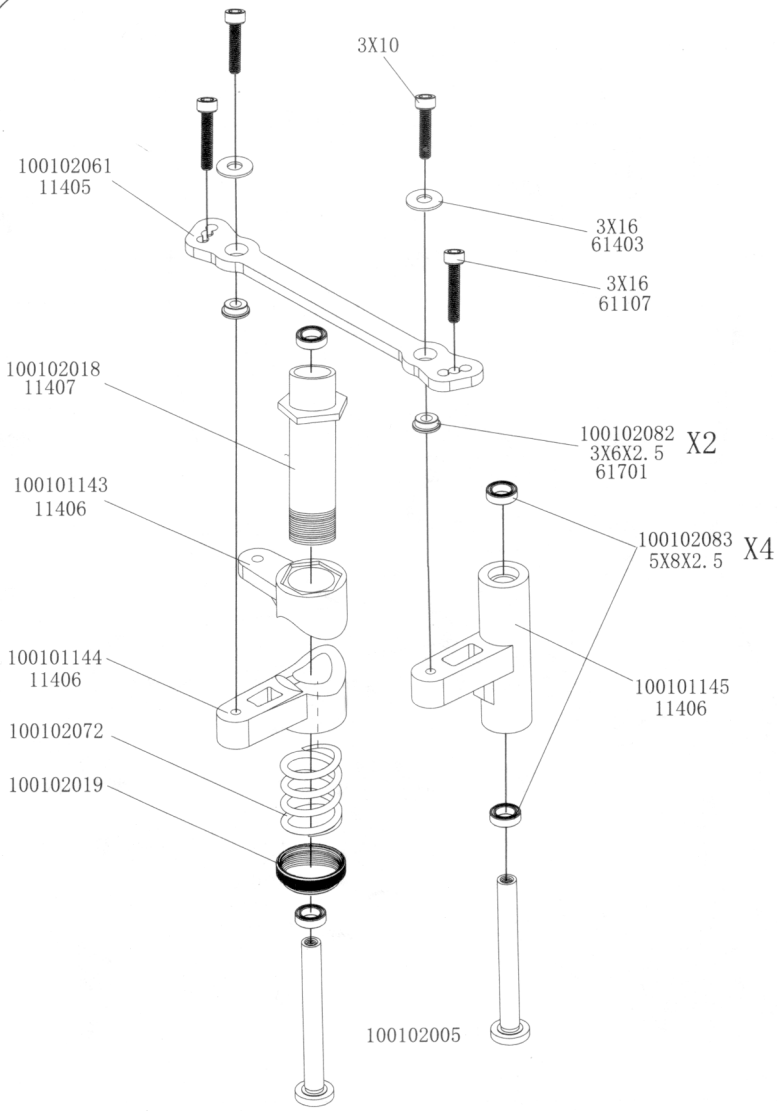
M3 61500



100102037 11305

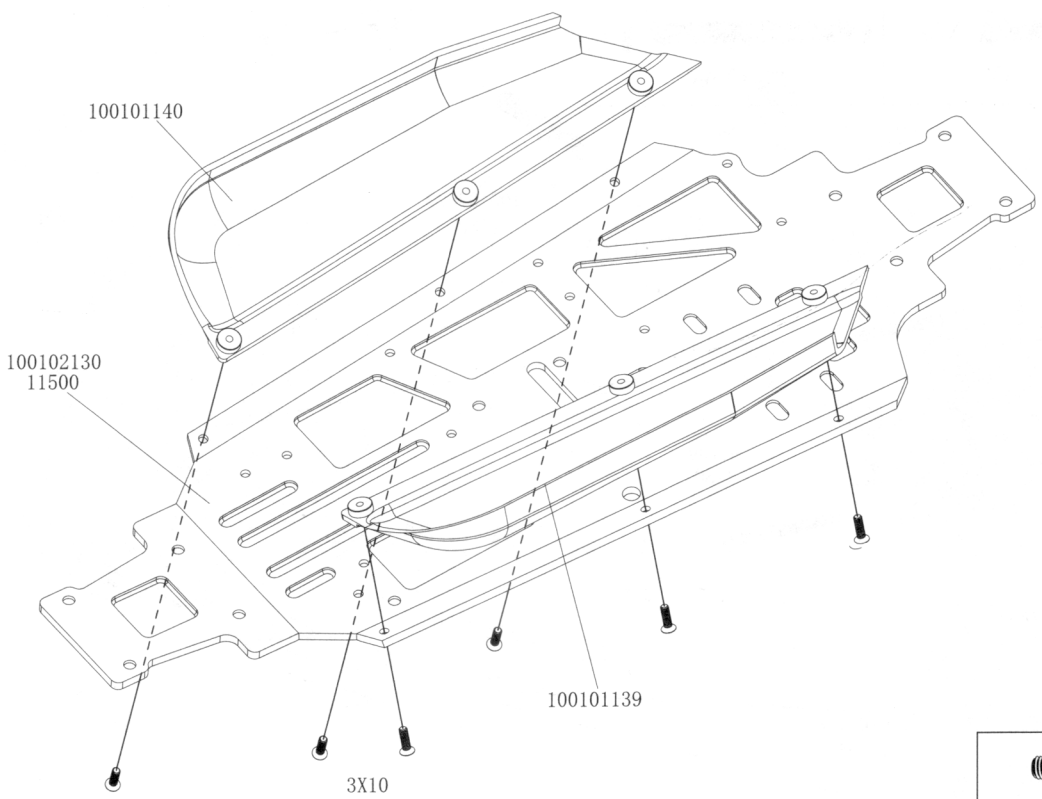
100101178 11308



J
Bag



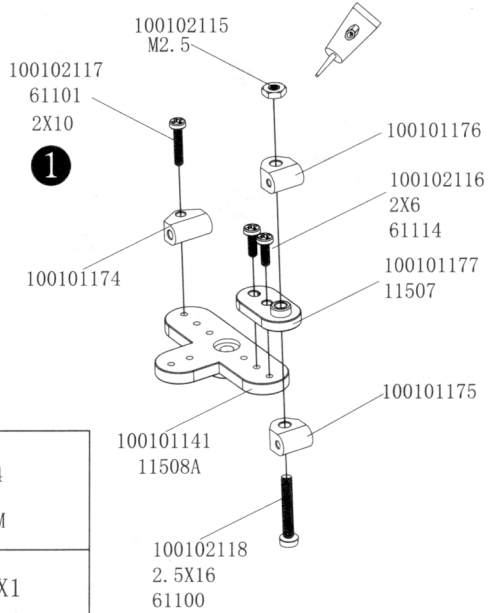
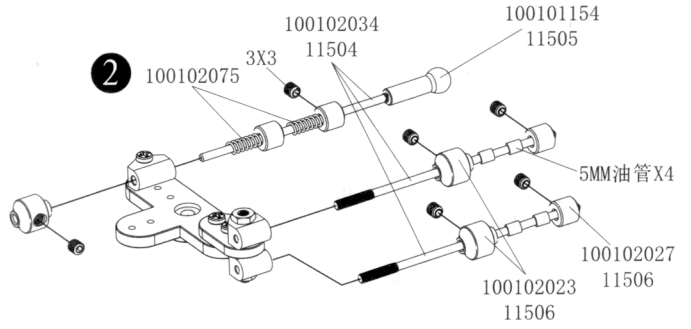
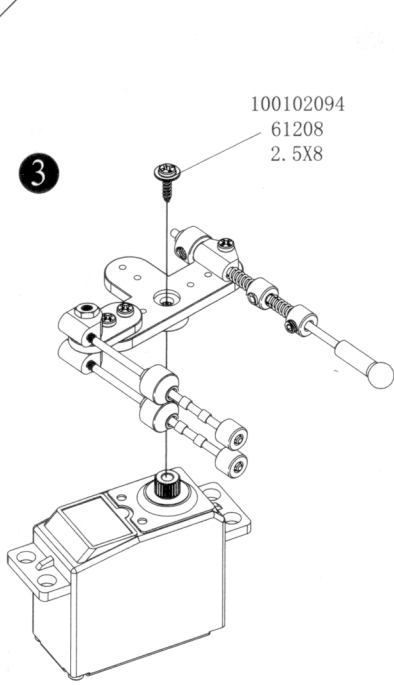
-  X2
3MMX10MM
-  X2
3MMX16MM



-  X6
3MMX10MM

K
Bag

ASSEMBLY OF THE BRAKE SYSTEM



X1
2.5MMX16MM

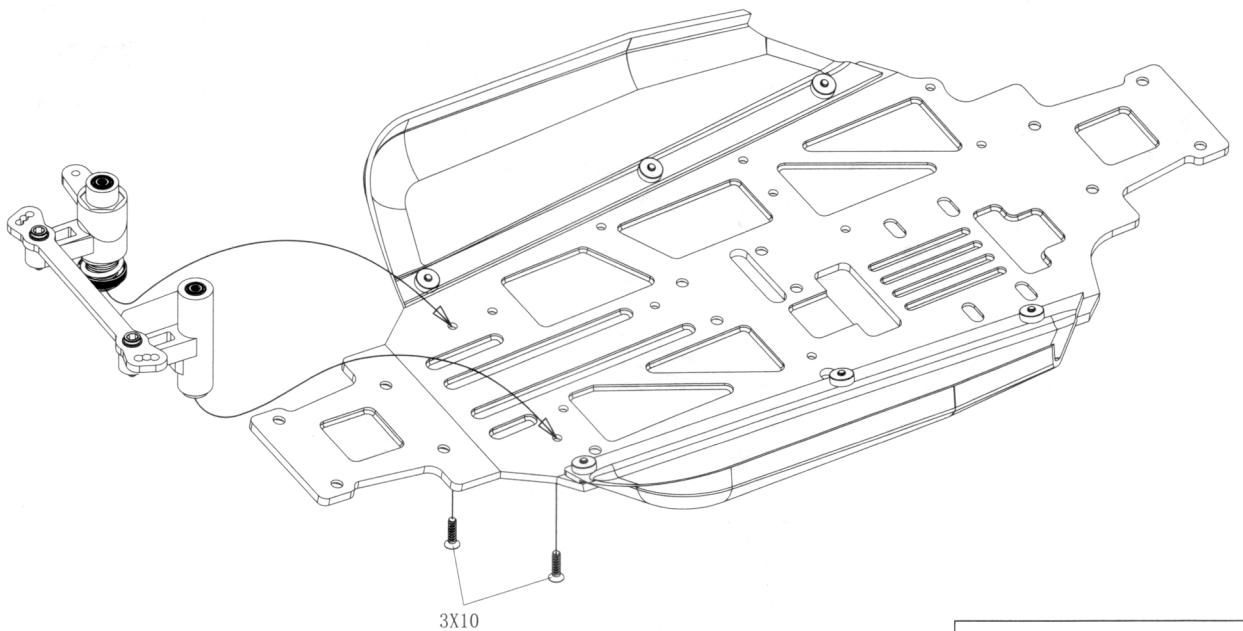
X2
2.5MMX9MM

X4
3MMX3MM

X1
2MMX10MM

X2
2MMX6MM

X1
M2.5



X2
3MMX10MM

L

Bag

100102046
61800

100101153
11403

100102033
11402

3MMX16MM

9X3.2X0.8

3X13

100101142
11404A

3X16

M3

100102195

100101153
11403

M3

100102033
11402

X6

9MMX3.2MMX0.8MM

X3



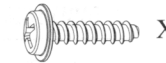
3MMX16MM

X1



3MMX16MM

X1



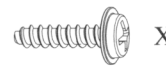
3MMX13MM

X4



M3

X2



3MMX13MM

X2



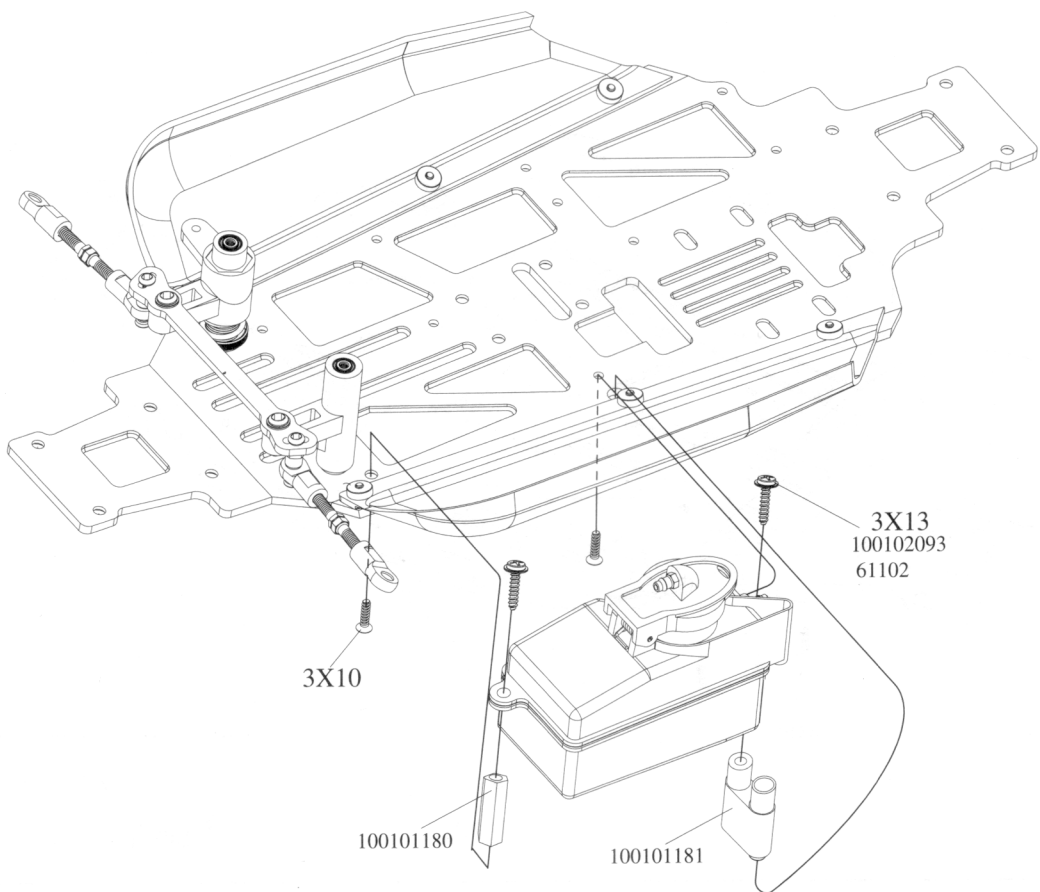
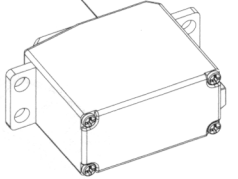
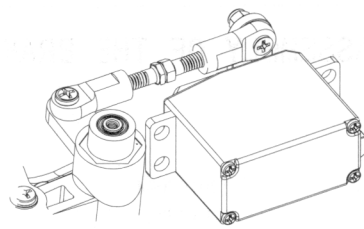
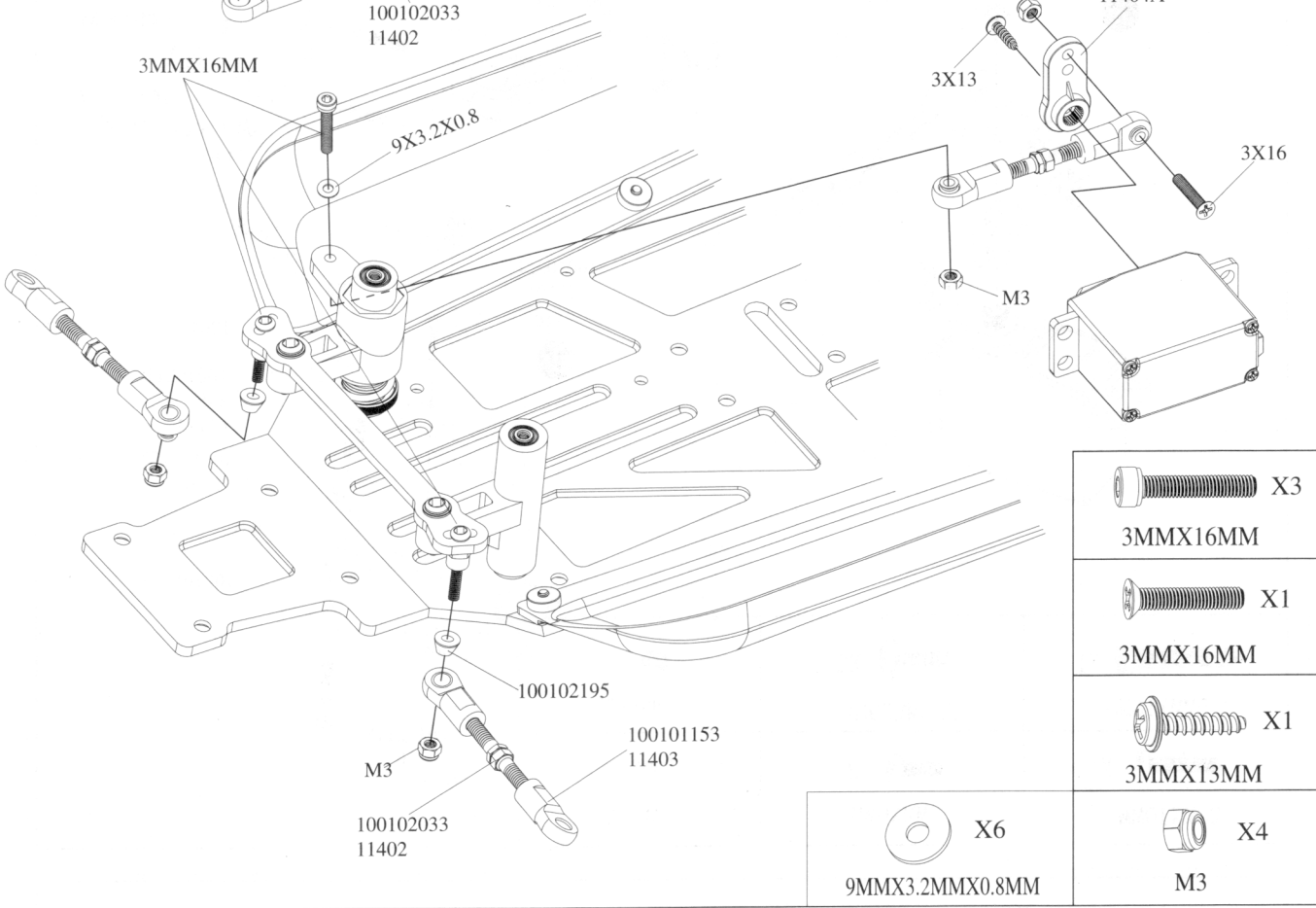
3MMX10MM

3X13
100102093
61102

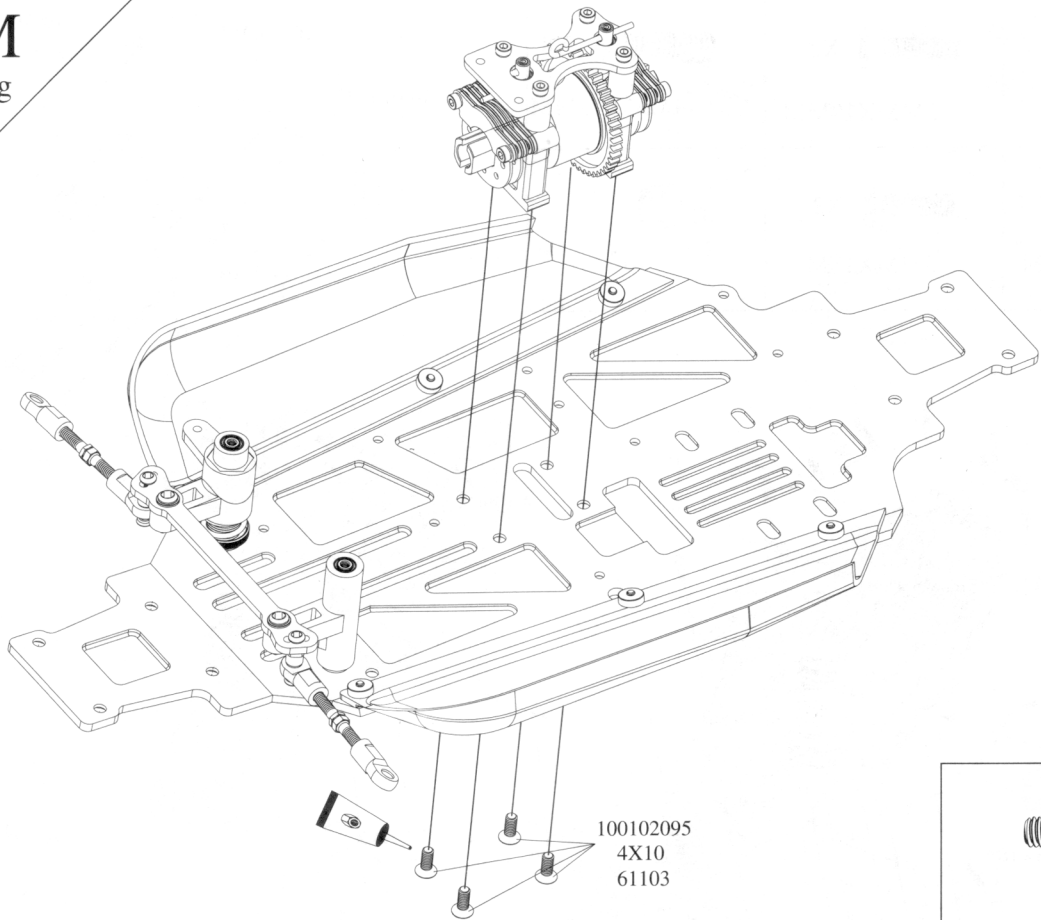
3X10

100101180

100101181



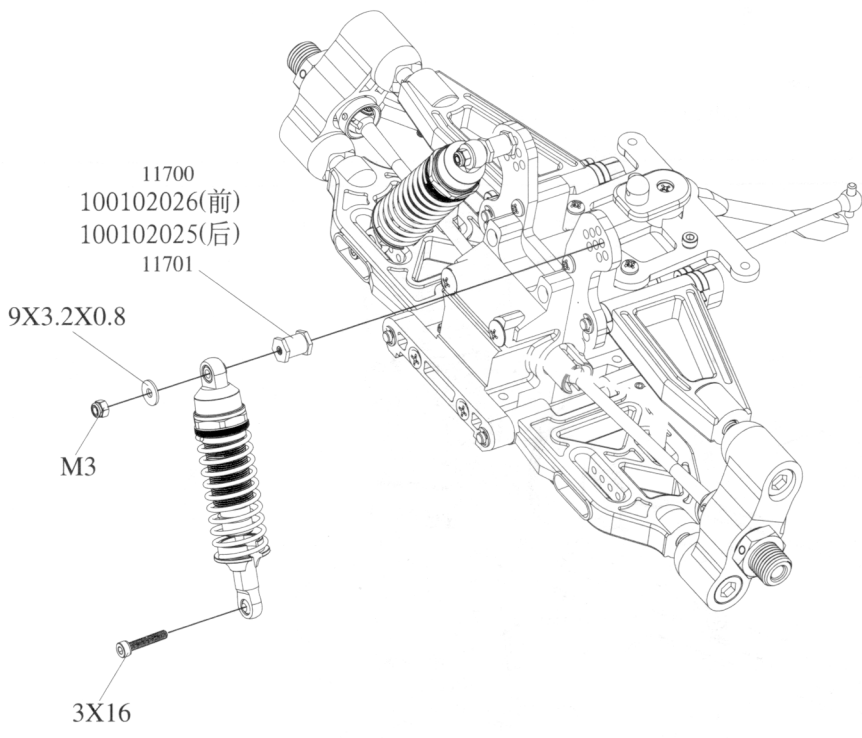
M
Bag



100102095
4X10
61103

X4
4MMX10MM

前后装法相同(Front and Rear are assembled the same)



11700
100102026(前)
100102025(后)
11701

9X3.2X0.8

M3

3X16

X4
M3

X4
9MMX3.2MMX0.8MM

X4
3MMX16MM

N
Bag



X2

3MMX10MM



X8

4MMX15MM



X2

3MMX10M



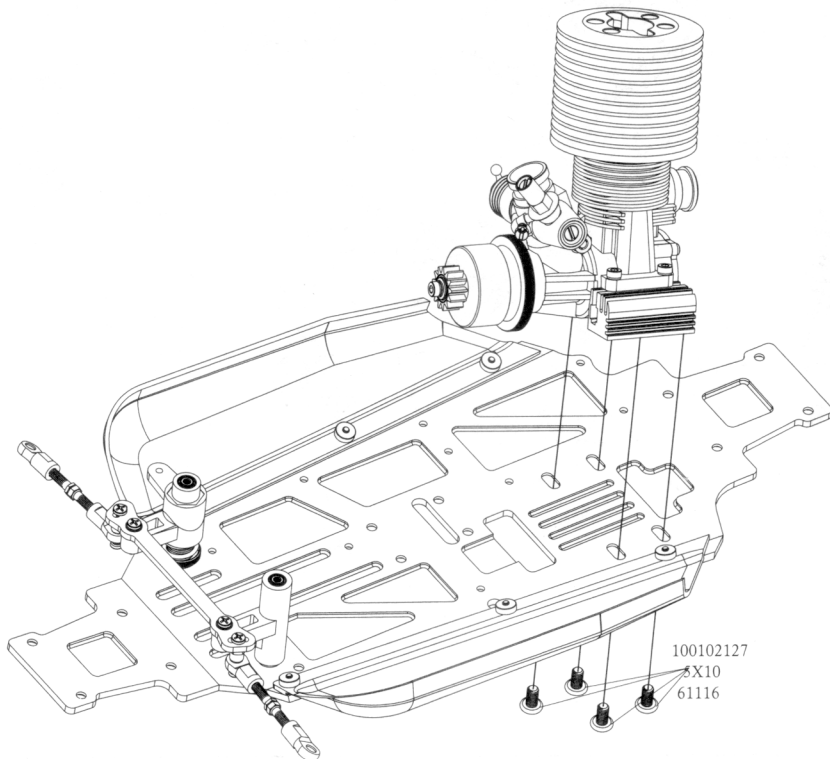
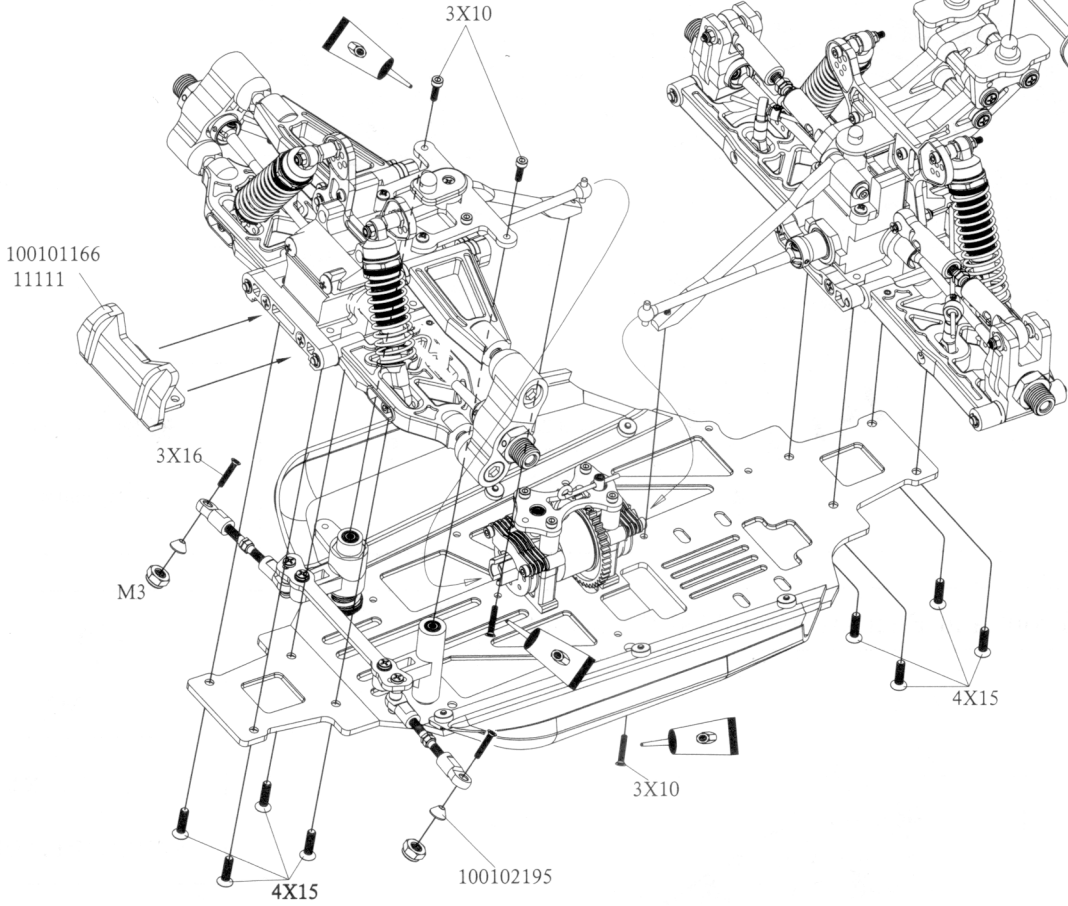
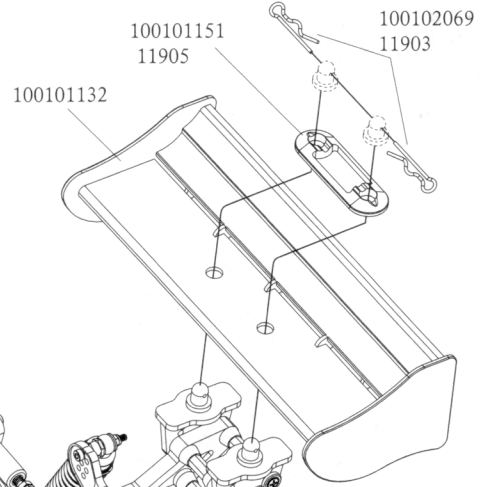
X2

3MMX16M



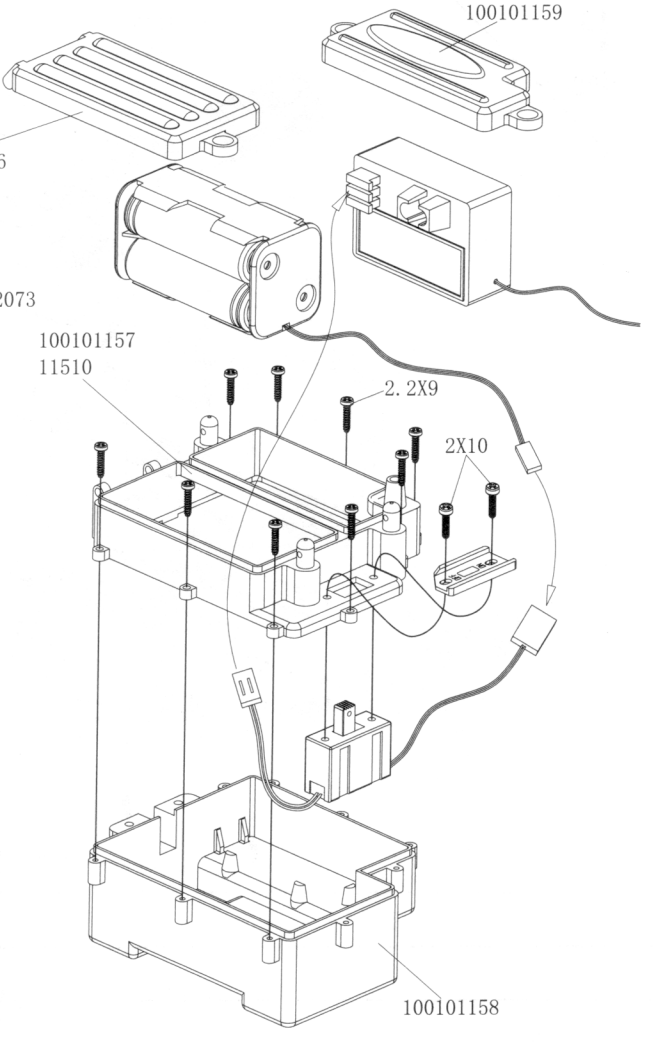
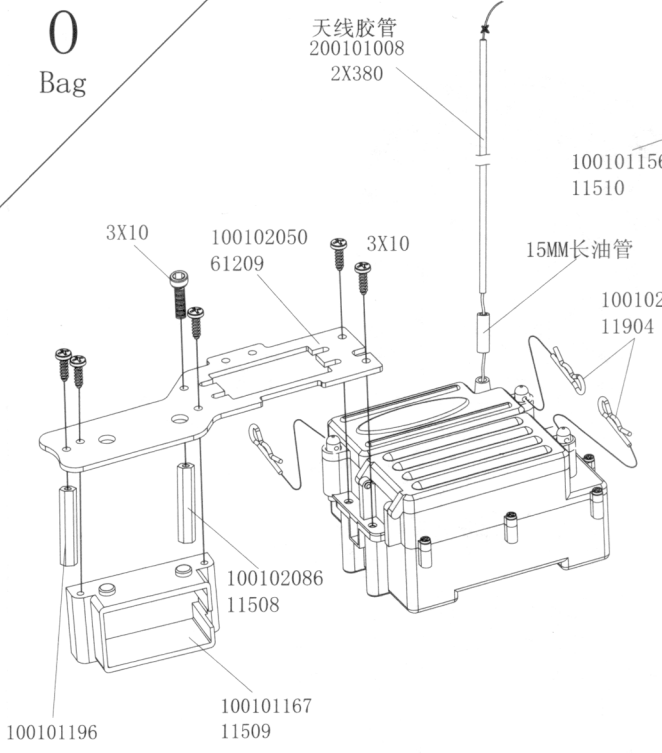
X2





M3

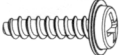


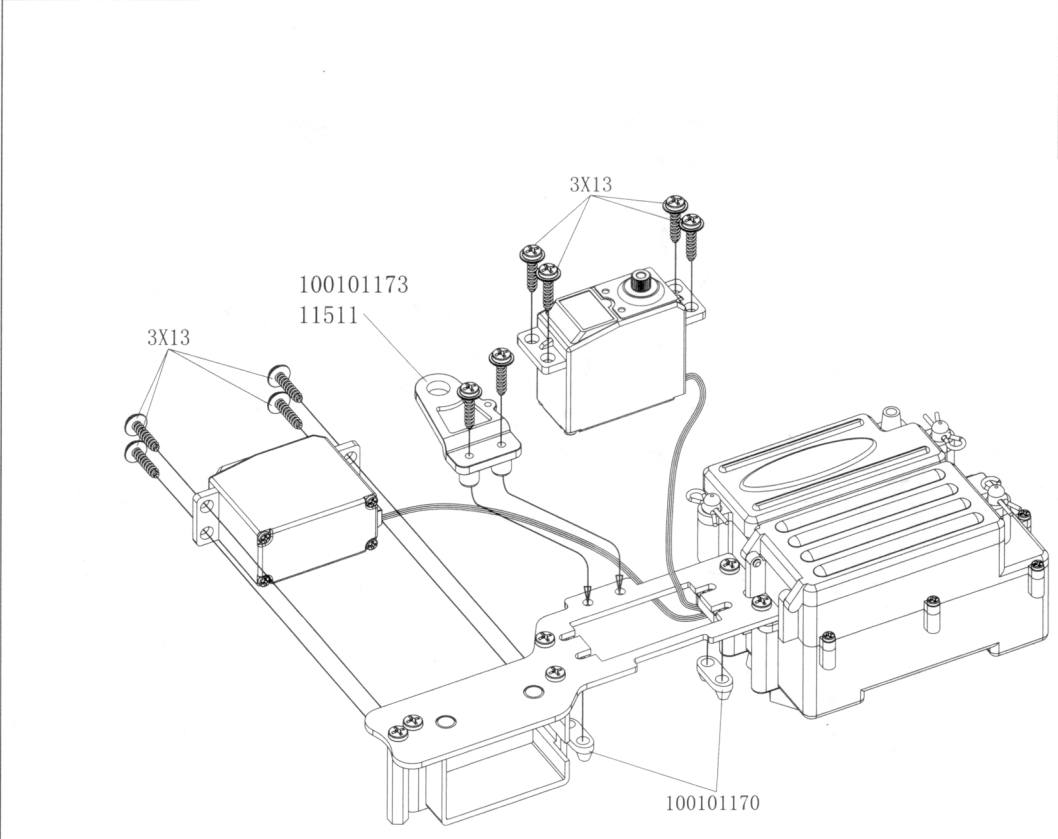
0
Bag

天线胶管
200101008
2X380

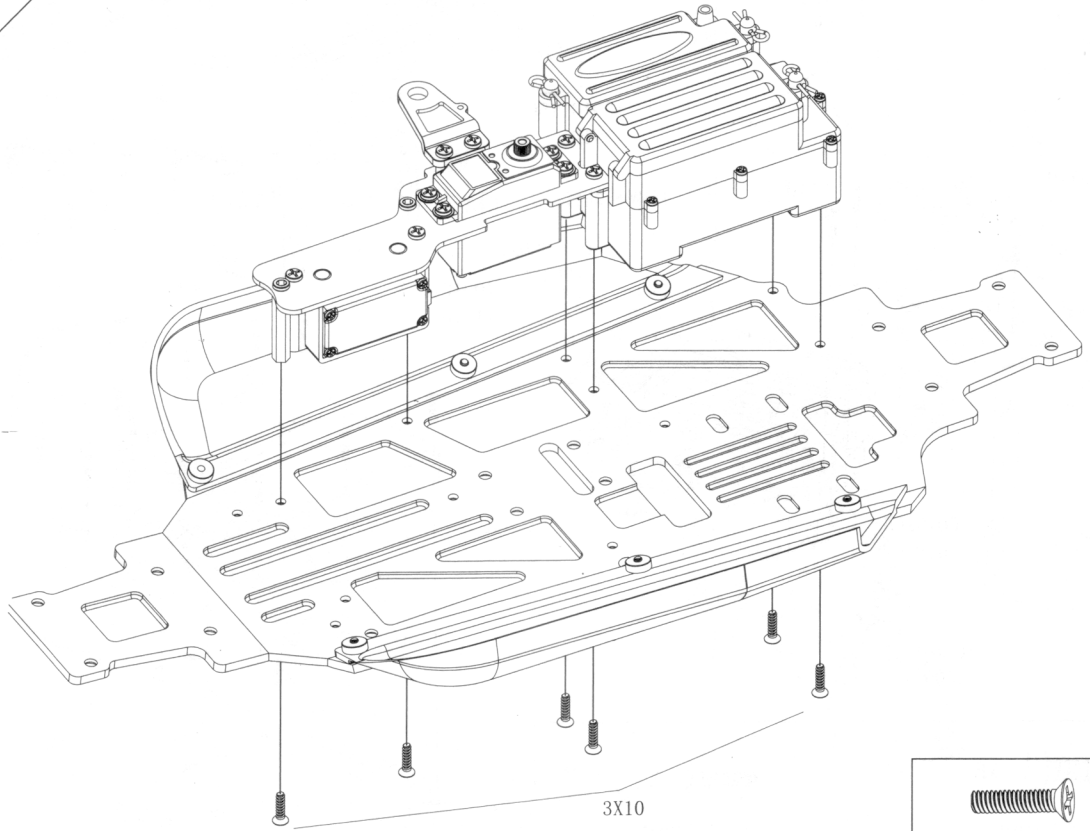


 X5 3MMX10MM	 X2 2MMX10MM
 X8 2.2MMX9MM	 X1 3MMX13MM

 X10 3MMX13MM

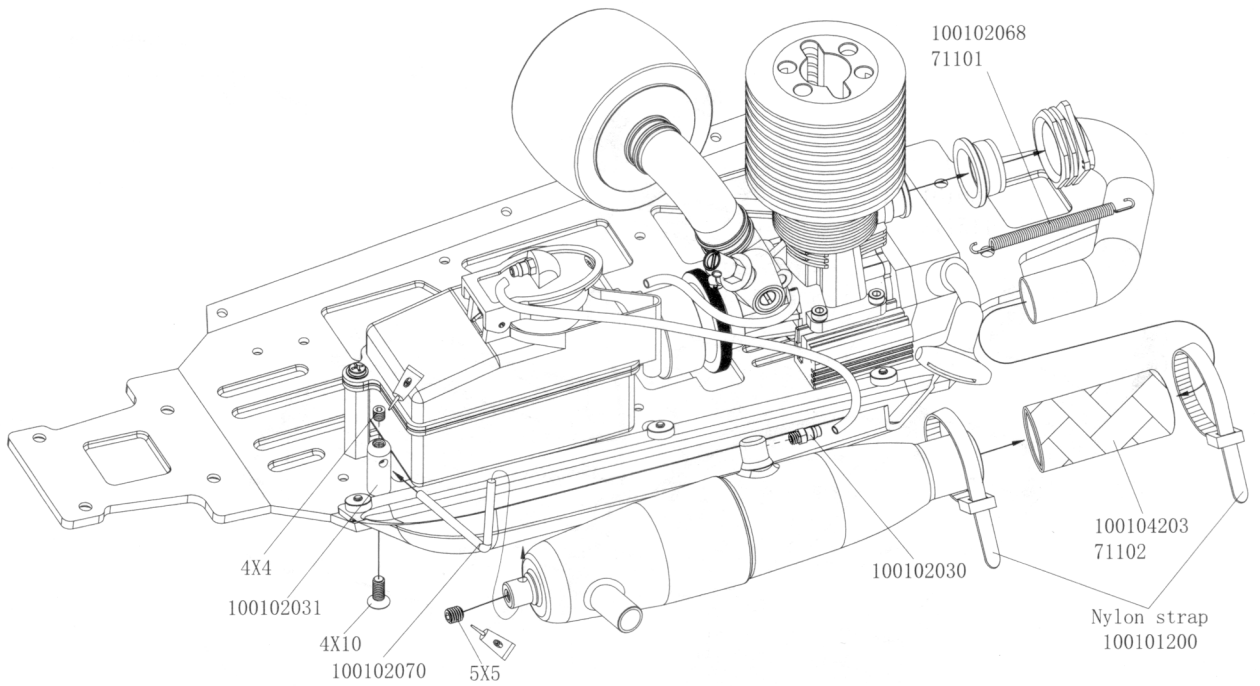


P
Bag



3X10

 X6
3MMX10MM



100102068
71101

100104203
71102

Nylon strap
100101200

100102030

4X4
100102031

4X10
100102070

5X5



X1

4MMX4MM



X1

5MMX5MM

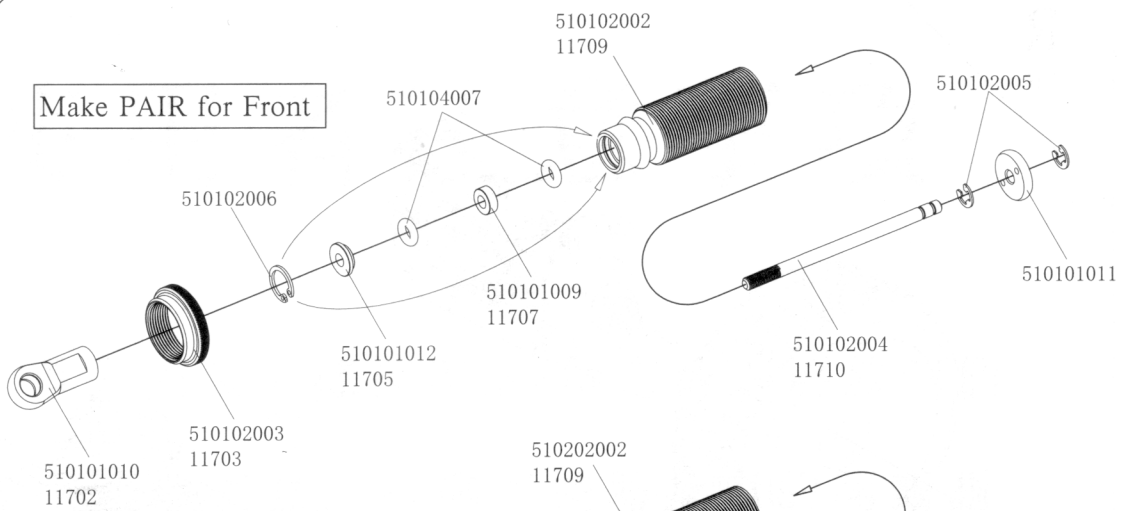


X1

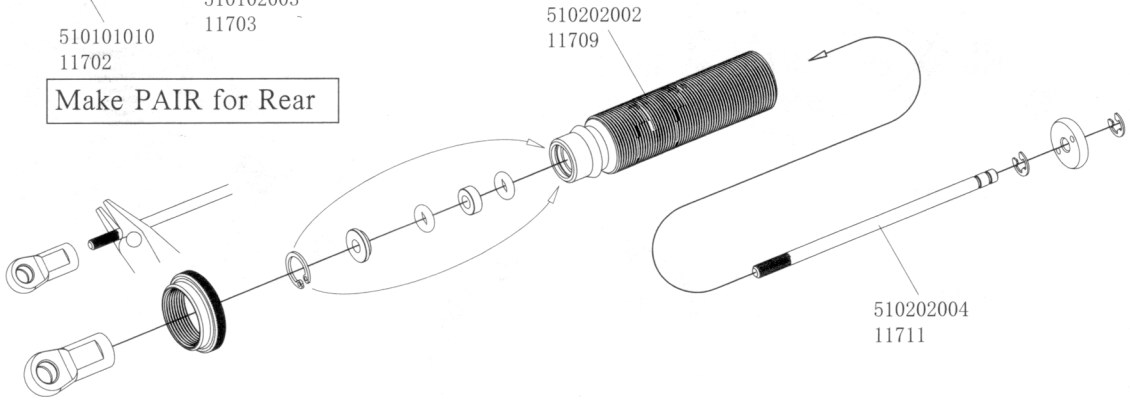
4MMX10MM

Q
Bag

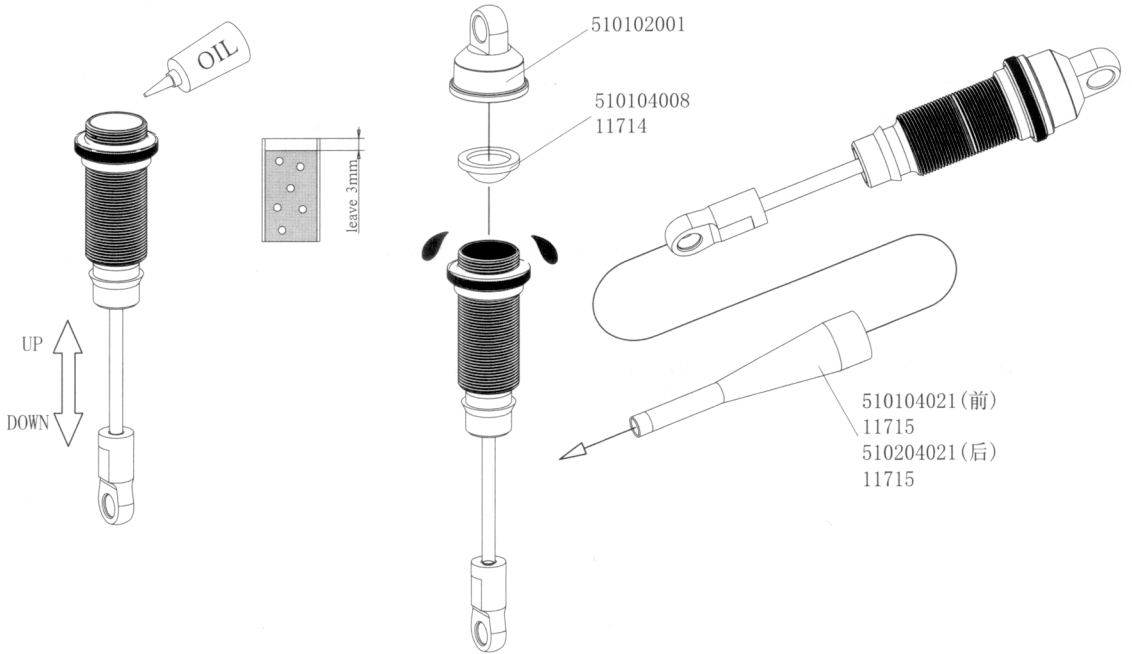
Make PAIR for Front



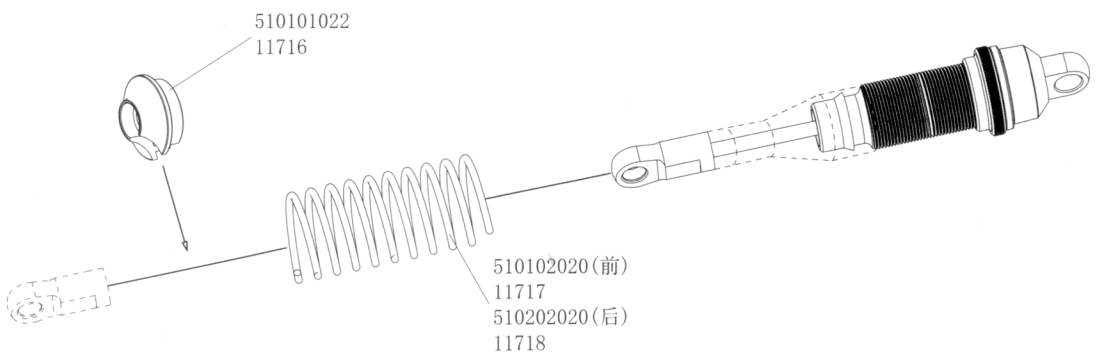
Make PAIR for Rear



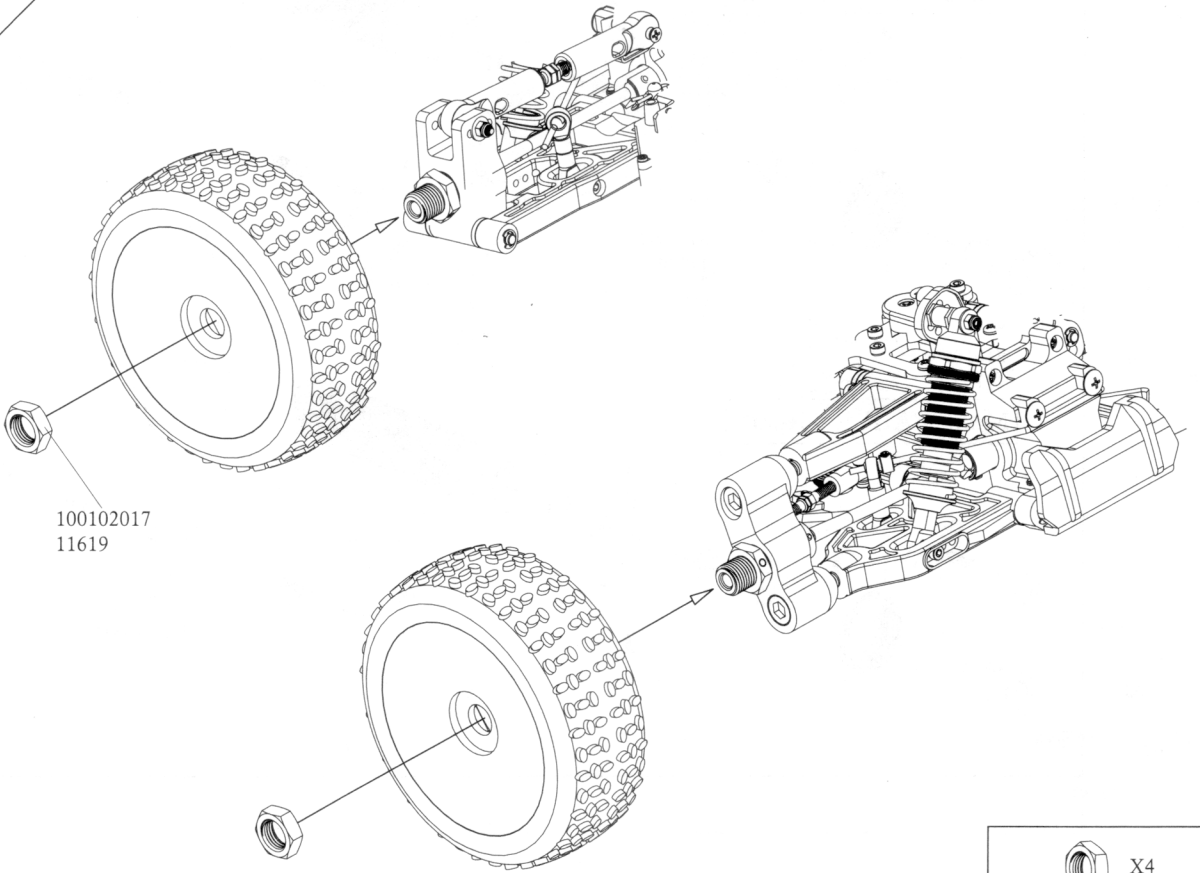
O-ring



UP
DOWN



R
Bag



100102017
11619

 X4
M12X1.25

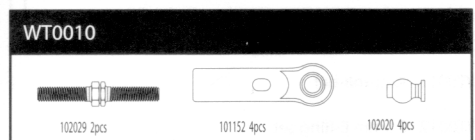
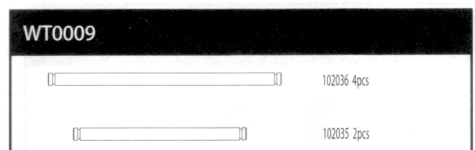
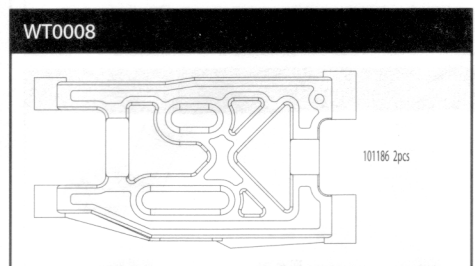
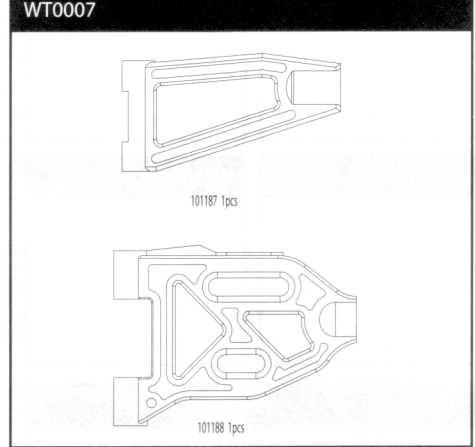
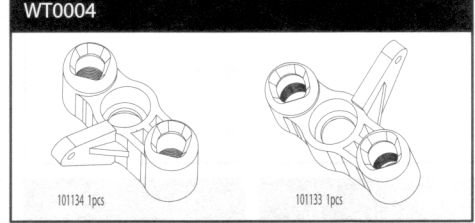
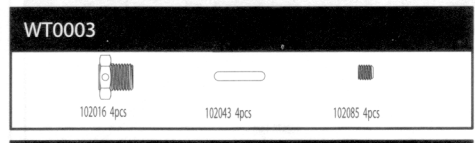
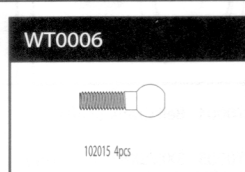
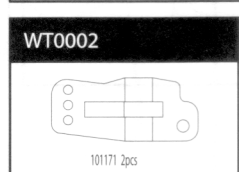
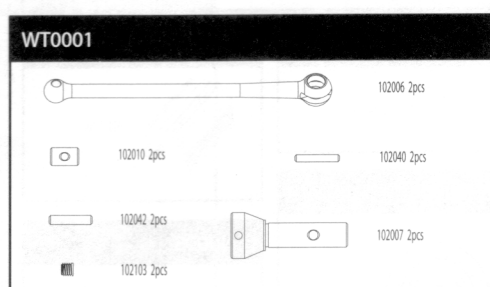
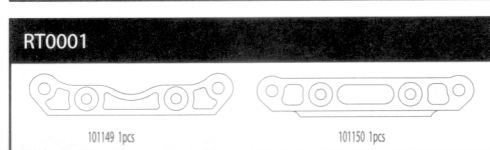
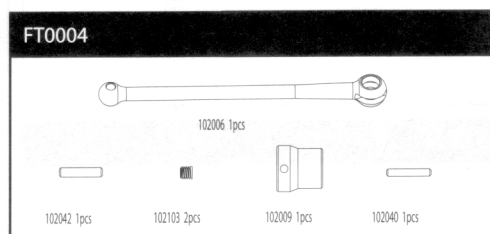
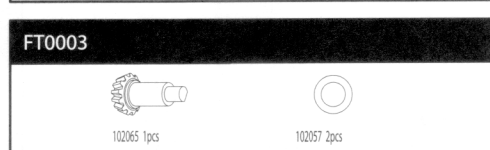
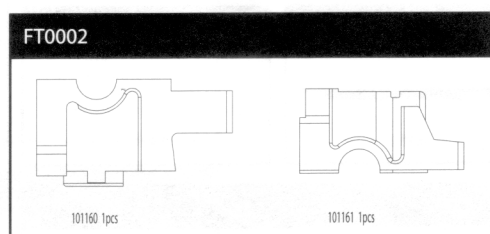
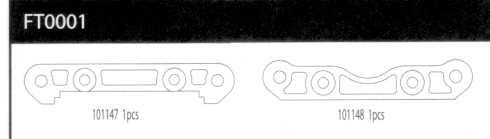
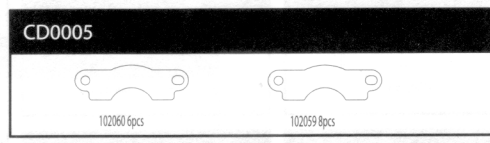
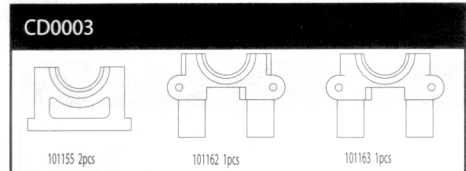
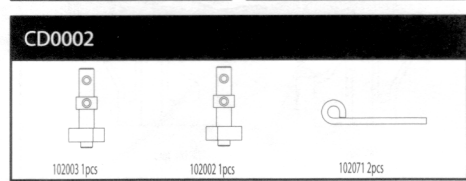
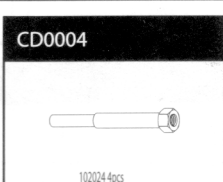
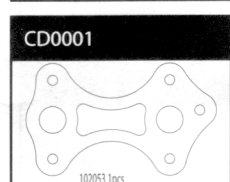
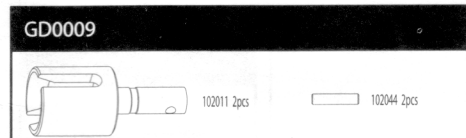
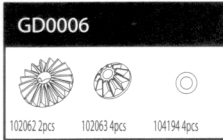
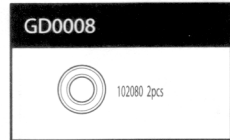
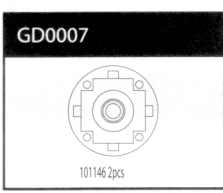
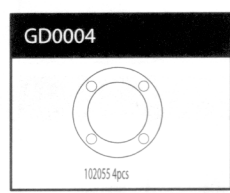
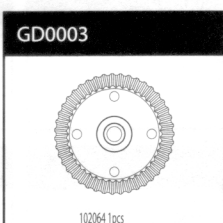
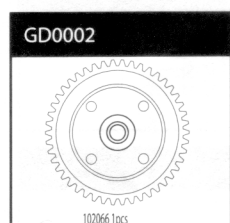
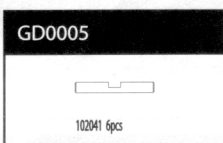
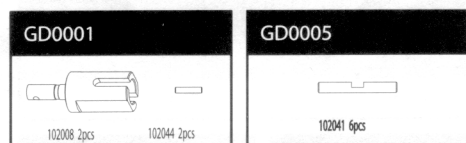
使用者注意事項

首先先裝上搖控器的8個電池，再放四個電池入接收機盒，打開搖控器及車的開關測試一下發射與接收是否正常。

空氣濾芯器地濾綿請用專用的Air cleaner oil在裡層白色海綿表面塗一層，外層黑色海綿不須塗油。

發動機方面請先RUN-IN 3--5個油箱的油，發動機起動后先慢慢的跑（勿全油門）Run-in后，發動機才能正常順暢使用並可增加發動機的壽命。

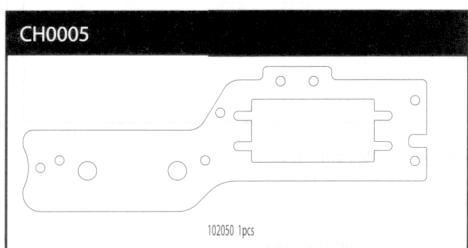
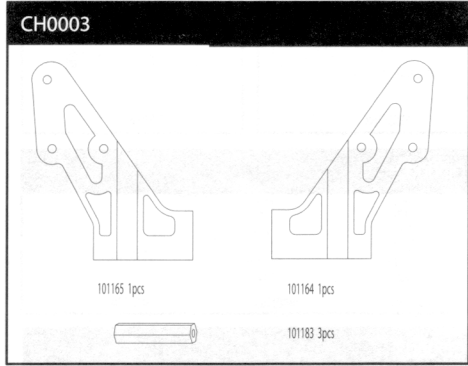
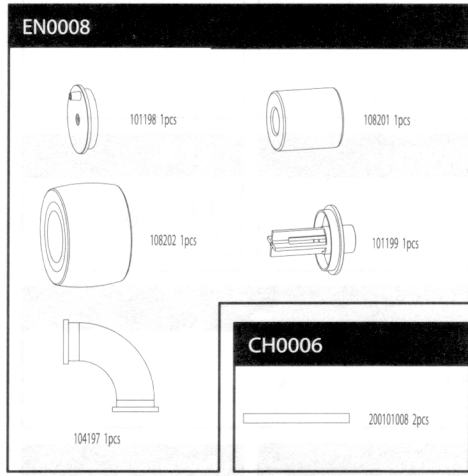
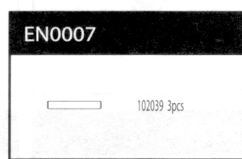
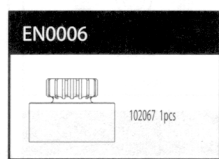
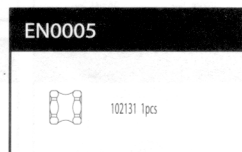
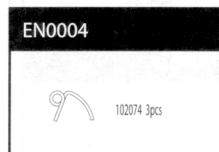
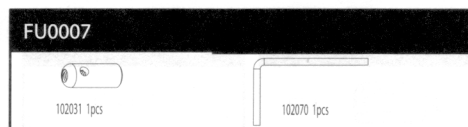
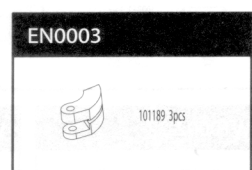
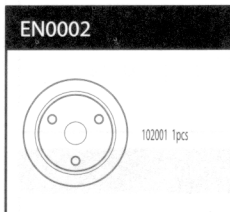
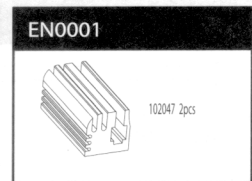
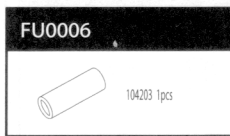
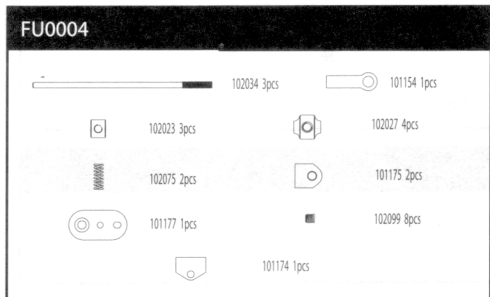
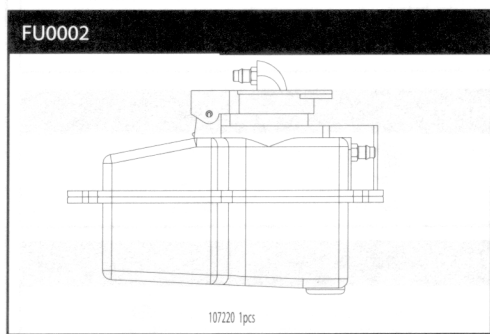
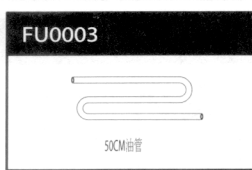
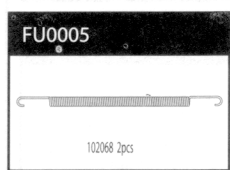
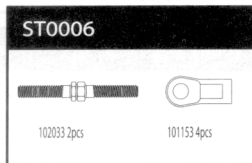
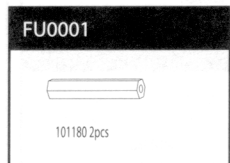
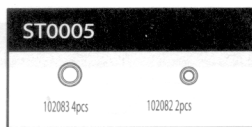
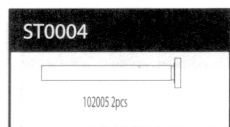
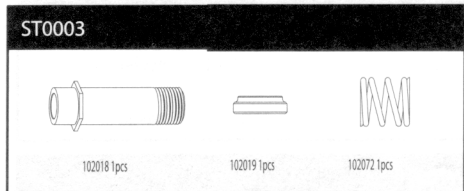
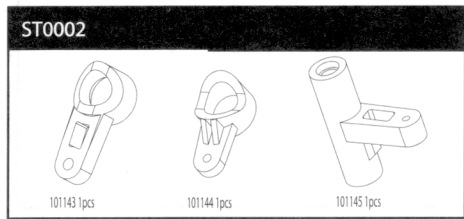
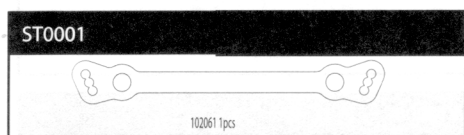
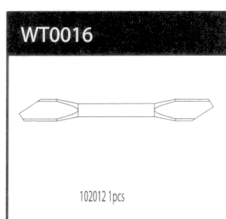
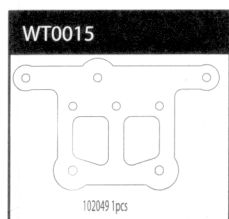
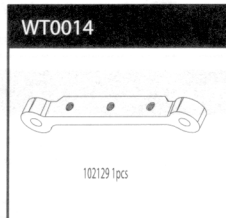
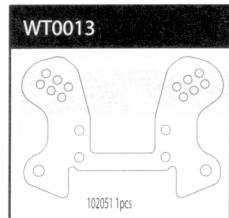
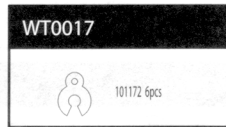
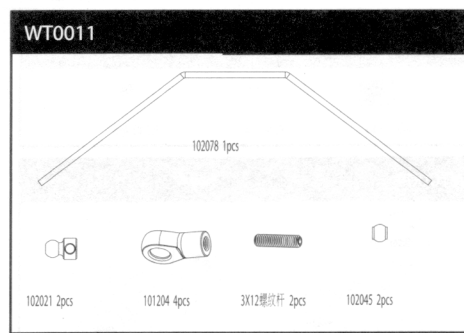
1/8 th SCALE GAS POWERED 4wd RACING CAR SWIFT RTR PARTS LIST



GD0001 Center outdrives
 GD0002 Steel spur gear
 GD0003 Steel diff ring gear
 GD0004 Diff seal
 GD0005 Diff gear shafts
 GD0006 Diff gear
 GD0007 Diff case
 GD0008 8X16 Ball bearing
 GD0009 Diff outdrives
 CD0001 Center diff brace
 CD0002 F/R Brake Actuator
 CD0003 Center bulkhead
 CD0004 Center bulkhead inserts

CD0005 Steel brake caliper
 FT0001 Front lower suspension mounts
 FT0002 Gear box
 FT0003 Steel diff pinion gear
 FT0004 Center drive shaft
 RT0001 Rear lower suspension mounts
 WT0001 Drive shaft
 WT0002 Rear hub carrier
 WT0006 Pivot ball

WT0003 17mm hex hub
 WT0004 L/R knuckle Arm
 WT0005 Pivot nut
 WT0007 Front lower/upper Arms
 WT0008 Rear lower Arms
 WT0009 Front lower/upper suspension pins
 WT0010 Upper rear tie-rod



WT0011 Anti-roll-bar

WT0012 2.5mm E-Ring set

WT0013 Front Shock Tower

WT0014 Aluminum Upper Suspension Mount

WT0015 Carbon Fiber Front Brace

WT0016 Front Chassis Brace

WT0017 Caster Spacer

ST0001 Steering Rack

ST0002 Steering Bell cranks

ST0003 Steering Spring Set

ST0004 Bell Crank Shafts

ST0005 3X6/5X8 Ball Bearing

ST0006 Steering Tie-Rod

FU0001 Tank mount

FU0002 Tank

FU0003 Fuel silicon pipe

FU0004 Roller pin set

FU0005 Manifold spring

FU0006 Exhaust coupler

EN0001 Engine mounts

EN0002 Flywheel

EN0003 Clutch shoes

FU0007 Muffler Mount

EN0004 Clutch spring

EN0005 Clutch nut

EN0006 Clutch Bell

EN0007 Flywheel Axle

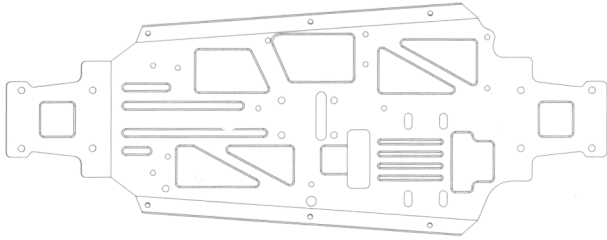
EN0008 Air Filter Set

CH0003 Wing mount posts L/R

CH0005 Carbon fiber radio flate

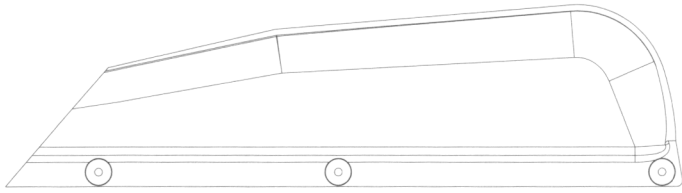
CH0006 Antenna pipe

CH0001

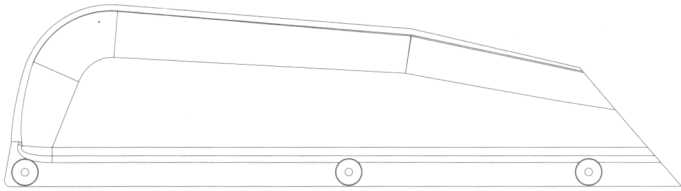


102130 1pcs

CH0002

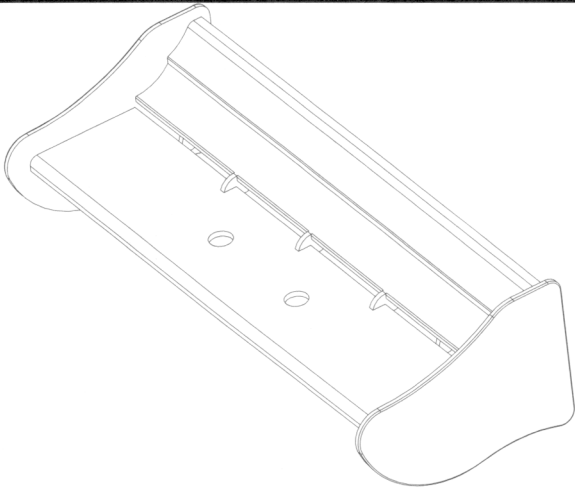


101139 1pcs

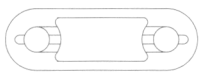


101140 1pcs

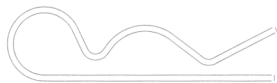
CH0004



101132 1pcs



101151 1pcs



102069 2pcs

CH0001 Main Chassis

CH0002 Shde Guards L/R

CH0004 Wing Set

Swift RTR Parts List

use these #'s when ordering parts

Part#	Description		
11001	1000wt Diff Oil	11618	17mm Hex Hub
11002	5000wt Diff Oil	11619	17mm Wheel Nut
11003	7000wt Diff Oil	11700	Front Shock Spacer
11004	Shock Oil	11701	Rear Shock Spacer
11100	Front Lower Suspension Mounts	11702	Shock End
11101	Pivot Nut	11703	Adjusting Collar
11102	Pivot Ball Spacers	11704	Shock Circlip
11103	Pivot Ball	11705	Outside Spacer
11104	Knuckle Arms	11706	3mm Shock O-ring
11105	Front Upper Arms	11707	Inside Spacer
11106	Front Lower Arms	11708	Front Threaded Shock Bodies
11107	Aluminum Front Upper Susp. Mount	11709	Rear Threaded Shock Bodies
11108	Front Shock Tower	11710	Front Shock Shaft
11109	Front Suspension Pins	11711	Rear Shock Shaft
11110	Caster Clips	11712	Shock Piston
11111	Front Bumper	11713	Shock Cap
11200	Center Diff Brace	11714	Shock Bladders
11201	Center Bulkhead Inserts	11715	Shock Boots
11202	Center Bulkhead	11716	Shock Spring Retainers
11300	Rear Lower Suspension Mounts	11717	Front Shock Springs
11301	Rear Hub Carriers	11718	Rear Shock Springs
11302	Rear Shock Tower	11800	Front/Rear Brake Actuator
11303	Chassis Brace Mount	11801	Brake Arms
11304	Rear Chassis Brace Support	11802	Steel Brake Caliper
11305	Rear Suspension Pins	11803	Fiber Brake Pad
11306	Large Rod End	11804	Vented Brake Disc
11307	Rear Upper Turnbuckle	11805	Heatsink Engine Mounts
11308	Wheelbase Spacers	11806	3-shoe Flywheel
11309	Rear Lower Arms	11807	Clutch Nut
11402	Steering Turnbuckle	11808	Clutch Springs
11403	Steering Rod End	11809	Clutch Shoes
11404	Small Rod End	11810	Engine Collet
11405	Steering Rack	11811	Air Filter Set .21
11406	Steering Bellcranks	11900	Adjustable Wing Mount
11407	Servo Saver Spring / Holder / Shaft	11901	Rear Body Mount
11500	Machined Chassis	11902	Front Body Mount
11501	Carbon Fiber Front Brace	11903	Large Body Pins
11502	Front Aluminum Chassis Brace	11904	Small Body Clips
11504	Linkage	11905	Wing Mount Braces
11505	Throttle Linkage	11905	Upper Wing Brace
11506	Small/Large Sliders	61100	2.5x16 Cap Screw
11507	Servo Horn Extension	61101	2x10 Cap Screw
11508	Radio Tray Mount	61102	3x13 Cap Screw
11509	Steering Servo Mount	61103	4x10 FH Screw
11510	Radio Box	61104	3.5x20 ST Screw
11510	Muffler Mount	61105	3.5x45 ST Screws
11511	Transponder Mount	61106	3x10 Hex Screw
11511	120cc Fuel Tank	61107	3x16 Hex Screw
11512	Fuel Tank Mount Set	61108	3x35 Allen Screw
11601	Center Diff Outdrives	61109	3x30 Allen Screw
11601	Aluminum Rear Chassis Brace	61110	3x22 FH Machine Screw
11602	Small Drive Pins	61111	3x10 FH Machine Screws
11603	Steel Spur Gear	61112	3x16 Allen Screw
11604	Differential Seal	61112	3x10 BH Machine Screw
11605	Large Bevel Gear	61113	3x8 BH Machine Screw
11606	Small Bevel Gear	61114	2x6 Allen Screws
11607	Bevel Gear Shaft	61115	4x15 FH Machine Screw
11608	Differential Case	61116	5mm Engine Mount Screws
11609	Differential Outdrives	61200	3x13 FH Screw
11610	Steel Ring Gear	61202	3x20 ST Screw
11611	Gearbox	61203	3.5x16 ST Screw
11612	Steel Pinion Gear	61204	3.5x30 ST Screw
11613	Chrome CVJ Bone	61205	3x10 ST Screw
11614	CVJ Barrel	61206	3.5x16 ST Screws
11615	CVJ Pin	61207	4.2x15 ST Screws
11616	CVJ Axle	61208	2.5x8 Screw
11617	Axle Pin	61209	3x10 ST Screws
		61210	2x6 ST Screws
		61211	2x9 ST Screws
		61300	4mm Setscrew
		61301	3x3 Setscrews
		61302	4x12 Setscrew
		61303	3x12 Setscrews
		61304	5x5 Setscrews
		61400	3mm Countersunk Washer
		61401	5mm Shims
		61402	8mm Shims
		61403	3mm Washers
		61500	3mm Locknut
		61600	3mm E-Clip
		61700	8x16 Ball Bearings
		61701	5x8 Flanged Ball Bearing
		61702	5x8 Ball Bearings
		61703	3x6 Flanged Ball Bearings
		61705	5x10 Ball Bearings
		61800	Flanged Ball
		61801	4mm O-rings
		61802	5mm Ball
		61803	7mm Ball
		71000	SH .21 Engine w/Pullstart
		71101	Manifold Spring .21
		71102	Exhaust Coupler .21
		71103	.21 Muffler
		71104	Exhaust Manifold .21
		71105	Manifold Gasket .21
		71106	Silicone Fuel Tubing
		81100	Front Sway Bar
		81101	Small Sway Bar End
		81102	Rear Sway Bar
		11404A	Steering Servo Horn (Sanwa)
		11508A	Servo Horn (Sanwa)